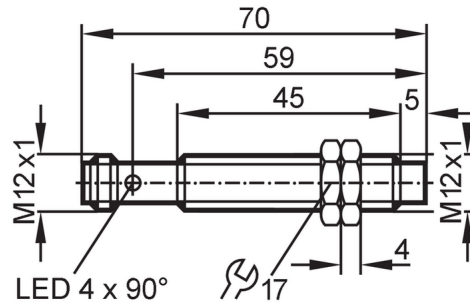


IF6031



Inductive analogue sensor

IFK4004A2PKG/IO/US



Product characteristics

Housing	threaded type
Dimensions [mm]	M12 x 1 / L = 70

Electrical data

Operating voltage [V]	15...30 DC
Current consumption [mA]	< 20
Protection class	II
Reverse polarity protection	yes

Outputs

Analogue voltage output [V]	0...10; (linear; gradient: 2,77 V/mm; for frontal approach and for target made of mild steel: 12 x 12 x 1 mm)
Min. load resistance [Ω]	2000
Short-circuit protection	yes
Overload protection	yes

Detection zone

Measuring range [mm]	0.4...4
----------------------	---------

Accuracy / deviations

Correction factor	steel: 1 / stainless steel: 0.7 / brass: 0.5 / aluminium: 0.4 / copper: 0.3
Linearity error of analogue output [%]	± 3 ; (of UA max)
Repeatability analogue output [%]	± 2 ; (of UA max)
Temperature coefficient	± 10 %; (of UA max)

Response times

Response time [ms]	< 10
--------------------	------

Operating conditions

Ambient temperature [$^{\circ}\text{C}$]	-25...80
Protection	IP 67

Tests / approvals

MTTF [years]	220
--------------	-----

Mechanical data

Weight [g]	44.5
Housing	threaded type
Mounting	non-flush mountable

IF6031



Inductive analogue sensor

IFK4004A2PKG/IO/US

Dimensions	[mm]	M12 x 1 / L = 70
Thread designation		M12 x 1
Materials		housing: brass white bronze coated; sensing face: PBT
Tightening torque	[Nm]	7

Displays / operating elements

Display	within the operating range	1 x LED, yellow lights
	outside the operating range	1 x LED, yellow flashing

Accessories

Items supplied	lock nuts: 2
----------------	--------------

Remarks

Pack quantity	1 pcs.
---------------	--------

Electrical connection - plug

Connector: 1 x M12; coding: A; Contacts: 4



Connection

