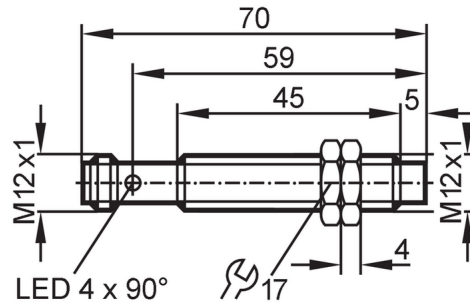


IF6030



Inductive analogue sensor

IFK4004A1PKG/IO/US



Product characteristics

| | | |
|------------|------|------------------|
| Housing | | threaded type |
| Dimensions | [mm] | M12 x 1 / L = 70 |

Electrical data

| | | |
|-----------------------------|------|------------|
| Operating voltage | [V] | 15...30 DC |
| Current consumption | [mA] | < 20 |
| Protection class | | II |
| Reverse polarity protection | | yes |

Outputs

| | | |
|--------------------------|------|--|
| Analogue current output | [mA] | 4...20; (linear; gradient: 4,44 mA/mm; for frontal approach and for target made of mild steel: 12 x 12 x 1 mm) |
| Max. load | [Ω] | 500 |
| Short-circuit protection | | yes |
| Overload protection | | yes |

Detection zone

| | | |
|-----------------|------|---------|
| Measuring range | [mm] | 0.4...4 |
|-----------------|------|---------|

Accuracy / deviations

| | | |
|------------------------------------|-----|---|
| Correction factor | | steel: 1 / stainless steel: 0.7 / brass: 0.5 / aluminium: 0.4 / copper: 0.3 |
| Linearity error of analogue output | [%] | ± 3 %; (of IA max) |
| Repeatability analogue output | [%] | ± 2 %; (of IA max) |

Response times

| | | |
|---------------|------|------|
| Response time | [ms] | < 10 |
|---------------|------|------|

Operating conditions

| | | |
|---------------------|------|----------|
| Ambient temperature | [°C] | -25...80 |
| Protection | | IP 67 |

Tests / approvals

| | | |
|------|---------|-----|
| MTTF | [years] | 216 |
|------|---------|-----|

Mechanical data

| | | |
|------------|------|---------------------|
| Weight | [g] | 34.9 |
| Housing | | threaded type |
| Mounting | | non-flush mountable |
| Dimensions | [mm] | M12 x 1 / L = 70 |

IF6030



Inductive analogue sensor

IFK4004A1PKG/IO/US

| | |
|------------------------|---|
| Thread designation | M12 x 1 |
| Materials | housing: brass white bronze coated; sensing face: PBT |
| Tightening torque [Nm] | 25 |

Displays / operating elements

| | | |
|---------|-----------------------------|--------------------------|
| Display | within the operating range | 1 x LED, yellow lights |
| | outside the operating range | 1 x LED, yellow flashing |

Accessories

| | |
|----------------|--------------|
| Items supplied | lock nuts: 2 |
|----------------|--------------|

Remarks

| | |
|---------------|--------|
| Pack quantity | 1 pcs. |
|---------------|--------|

Electrical connection - plug

Connector: 1 x M12; coding: A; Contacts: 4



Connection

