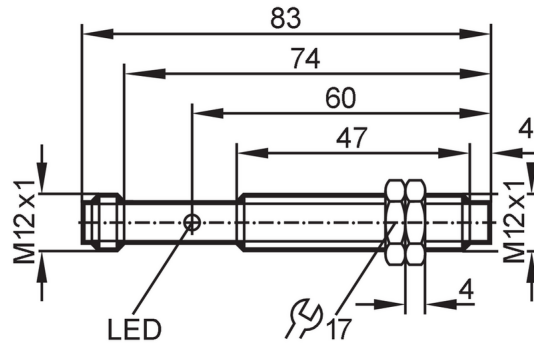


# IF5647



## Inductive sensor

IFA2004-FRKG/US-100-IRF



Product characteristics	
Electrical design	PNP/NPN
Output function	normally open / normally closed; (selectable)
Sensing range [mm]	4
Housing	threaded type
Dimensions [mm]	M12 x 1 / L = 83
Electrical data	
Operating voltage [V]	10...55 DC
Protection class	III
Reverse polarity protection	yes
Outputs	
Electrical design	PNP/NPN
Output function	normally open / normally closed; (selectable)
Max. voltage drop switching output DC [V]	4.6
Minimum load current [mA]	4
Max. leakage current [mA]	0.5
Permanent current rating of switching output DC [mA]	300
Switching frequency DC [Hz]	1500
Short-circuit protection	yes
Type of short-circuit protection	pulsed
Overload protection	yes
Detection zone	
Sensing range [mm]	4
Real sensing range $S_r$ [mm]	$4 \pm 10\%$
Operating distance [mm]	0...3.25
Accuracy / deviations	
Hysteresis [% of $S_r$ ]	1...15
Switch point drift [% of $S_r$ ]	-10...10
Operating conditions	
Ambient temperature [°C]	-25...80

# IF5647



## Inductive sensor

IFA2004-FRKG/US-100-IRF

Protection	IP 67
------------	-------

### Tests / approvals

EMC	EN 60947-5-2	
	EN 55011	class B
MTTF [years]	1815	
UL approval	Ta	0...40 °C
	Enclosure type	Type 1
	File number UL	E174191

### Mechanical data

Weight [g]	32
Housing	threaded type
Mounting	non-flush mountable
Dimensions [mm]	M12 x 1 / L = 83
Thread designation	M12 x 1
Materials	housing: brass white bronze coated; sensing face: PC

### Displays / operating elements

Display	switching status	1 x LED, yellow
---------	------------------	-----------------

### Accessories

Items supplied	lock nuts: 2
----------------	--------------

### Remarks

Pack quantity	1 pcs.
---------------	--------

### Electrical connection - plug

Connector: 1 x M12; coding: A

