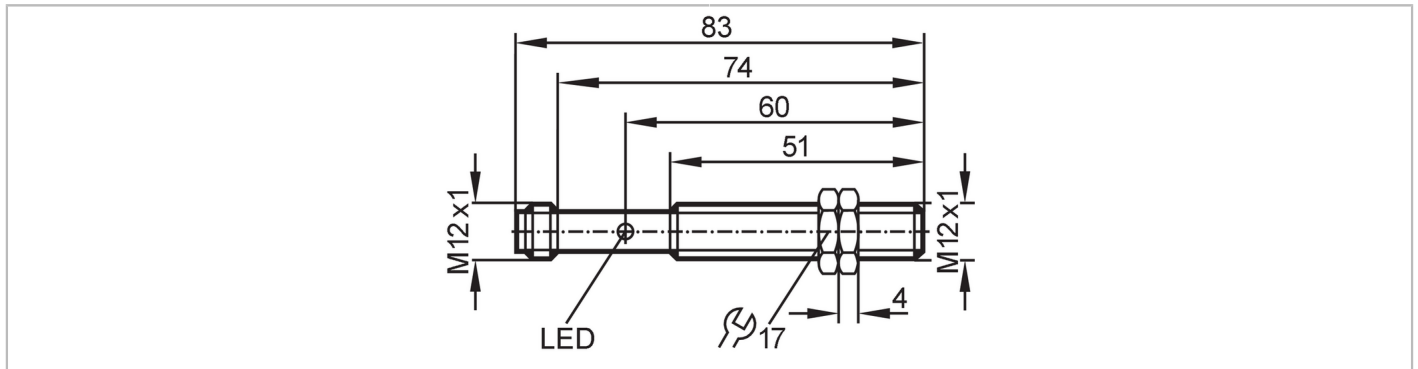


IF5598



Inductive sensor

IFA2002-FRKG/US-100-IRF



Product characteristics		
Electrical design		PNP/NPN
Output function		normally open / normally closed; (selectable)
Sensing range	[mm]	2
Housing		threaded type
Dimensions	[mm]	M12 x 1 / L = 83
Electrical data		
Operating voltage	[V]	10...55 DC
Protection class		III
Reverse polarity protection		yes
Outputs		
Electrical design		PNP/NPN
Output function		normally open / normally closed; (selectable)
Max. voltage drop switching output DC	[V]	4.6
Minimum load current	[mA]	4
Max. leakage current	[mA]	0.5
Permanent current rating of switching output DC	[mA]	300
Switching frequency DC	[Hz]	1100
Short-circuit protection		yes
Type of short-circuit protection		pulsed
Overload protection		yes
Detection zone		
Sensing range	[mm]	2
Real sensing range Sr	[mm]	2 ± 10 %
Operating distance	[mm]	0...1.6
Accuracy / deviations		
Hysteresis	[% of Sr]	1...15
Switch point drift	[% of Sr]	-10...10
Operating conditions		
Ambient temperature	[°C]	-25...80

IF5598



Inductive sensor

IFA2002-FRKG/US-100-IRF

Protection	IP 67
------------	-------

Tests / approvals

EMC	EN 60947-5-2	
	EN 55011	class B
MTTF [years]	1815	
UL approval	Ta	0...40 °C
	Enclosure type	Type 1
	File number UL	E174191

Mechanical data

Weight [g]	32.7
Housing	threaded type
Mounting	flush mountable
Dimensions [mm]	M12 x 1 / L = 83
Thread designation	M12 x 1
Materials	housing: brass white bronze coated; sensing face: PC

Displays / operating elements

Display	switching status	1 x LED, yellow
---------	------------------	-----------------

Accessories

Items supplied	lock nuts: 2
----------------	--------------

Remarks

Pack quantity	1 pcs.
---------------	--------

Electrical connection - plug

Connector: 1 x M12; coding: A

