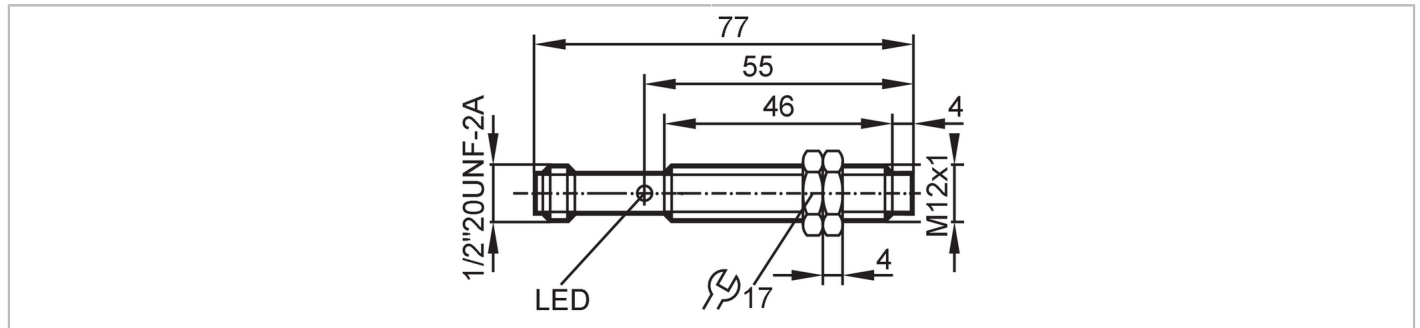


# IF0301



## Inductive sensor

IFA2004-ABOW/SL/LS-100AK



Product characteristics	
Output function	normally open
Sensing range [mm]	4
Housing	threaded type
Dimensions [mm]	M12 x 1 / L = 77
Electrical data	
Frequency AC [Hz]	45...65
Operating voltage [V]	20...250 AC
Protection class	I
Reverse polarity protection	no
Outputs	
Output function	normally open
Max. voltage drop switching output AC [V]	8.5
Minimum load current [mA]	8
Max. leakage current [mA]	2
Permanent current rating of switching output AC [mA]	200; (250 (...50 °C))
Short-time current rating of switching output [mA]	900; (20 ms / 0,5 Hz)
Switching frequency AC [Hz]	25
Short-circuit proof	no
Overload protection	no
Detection zone	
Sensing range [mm]	4
Real sensing range Sr [mm]	4 ± 10 %
Operating distance [mm]	0...3.24
Accuracy / deviations	
Correction factor	steel: 1 / stainless steel: 0.7 / brass: 0.4 / aluminium: 0.4 / copper: 0.3
Hysteresis [% of Sr]	3...15
Switch point drift [% of Sr]	-10...10
Operating conditions	
Ambient temperature [°C]	-25...80
Protection	IP 67

# IF0301



## Inductive sensor

IFA2004-ABOW/SL/LS-100AK

Tests / approvals		
EMC	EN 61000-4-2 ESD	4 kV CD / 8 kV AD
	EN 61000-4-3	3 V/m
	EN 61000-4-4 Burst	2 kV
	EN 61000-4-6	3 V
	EN 55011	class B
MTTF	[years]	932

Mechanical data	
Weight	[g] 34.6
Housing	threaded type
Mounting	non-flush mountable
Dimensions	[mm] M12 x 1 / L = 77
Thread designation	M12 x 1
Materials	housing: brass white bronze coated; sensing face: PBT natural; Nuts: brass white bronze coated; LED window: PBT natural
Tightening torque	[Nm] A = 3 mm: 3,5 Nm; B: 7 Nm

Displays / operating elements		
Display	switching status	1 x LED, red

Electrical connection	
Required protection	miniature fuse to IEC60127-2 sheet 1; $\leq 2$ A; fast acting

Accessories	
Items supplied	lock nuts: 2

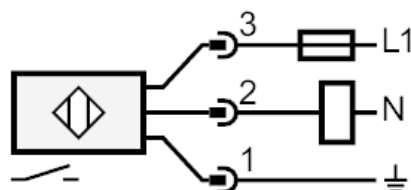
Remarks	
Remarks	Recommendation: Check the safe functioning of the unit after a short circuit.
Pack quantity	1 pcs.

### Electrical connection - plug

Connector: 1 x 1/2"; coding: C



### Connection



Note miniature fuse to IEC60127-2 sheet 1  $\leq 2$  A fast acting

# IF0301

## Inductive sensor

IFA2004-ABOW/SL/LS-100AK



### Diagrams and graphs

#### Installation

