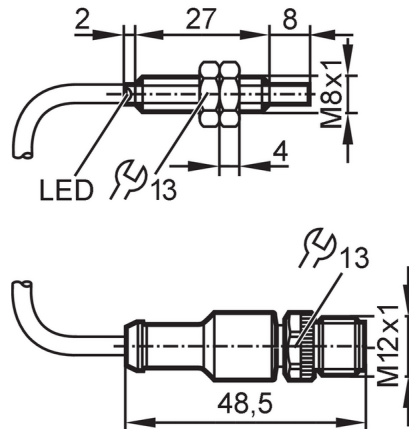


IE5352



Inductive sensor

IEBC005-ASKG/0,3M/US



Product characteristics

Electrical design		PNP/NPN
Output function		normally open
Sensing range	[mm]	5
Housing		threaded type
Dimensions	[mm]	M8 x 1 / L = 37

Electrical data

Operating voltage	[V]	10...30 DC
Current consumption	[mA]	< 10; (only in 3-wire operation)
Protection class		III
Reverse polarity protection		yes

Outputs

Electrical design		PNP/NPN
Output function		normally open
Max. voltage drop switching output DC	[V]	2.8
Minimum load current	[mA]	2; (only in 2-wire operation)
Max. leakage current	[mA]	0.5; (only in 2-wire operation)
Permanent current rating of switching output DC	[mA]	100
Switching frequency DC	[Hz]	700
Short-circuit protection		yes
Type of short-circuit protection		pulsed
Overload protection		yes

Detection zone

Sensing range	[mm]	5
Real sensing range S_r	[mm]	$5 \pm 10 \%$
Operating distance	[mm]	0...4.05

Accuracy / deviations

Correction factor		steel: 1 / stainless steel: 0.7 / brass: 0.5 / aluminium: 0.4 / copper: 0.3
-------------------	--	---

IE5352



Inductive sensor

IEBC005-ASKG/0,3M/US

Hysteresis	[% of Sr]	1...15
Switch point drift	[% of Sr]	-10...10

Operating conditions

Ambient temperature	[°C]	0...60
Protection		IP 67

Tests / approvals

EMC		EN 60947-5-2
MTTF	[years]	2988
UL approval	Ta	-25...80 °C
	Enclosure type	Type 1
	power supply	Limited Voltage/Current
	File number UL	E174191

Mechanical data

Weight	[g]	30.5
Housing		threaded type
Mounting		non-flush mountable
Dimensions	[mm]	M8 x 1 / L = 37
Thread designation		M8 x 1
Materials		housing: brass white bronze coated; sensing face: LCP

Displays / operating elements

Display	switching status	1 x LED, yellow
---------	------------------	-----------------

Accessories

Items supplied		lock nuts: 2 x M8
----------------	--	-------------------

Remarks

Pack quantity		1 pcs.
---------------	--	--------

Electrical connection - plug

Cable: 0.3 m, PVC; 3 x 0.14 mm²

Connector: 1 x M12; coding: A; Locking: rotatable

