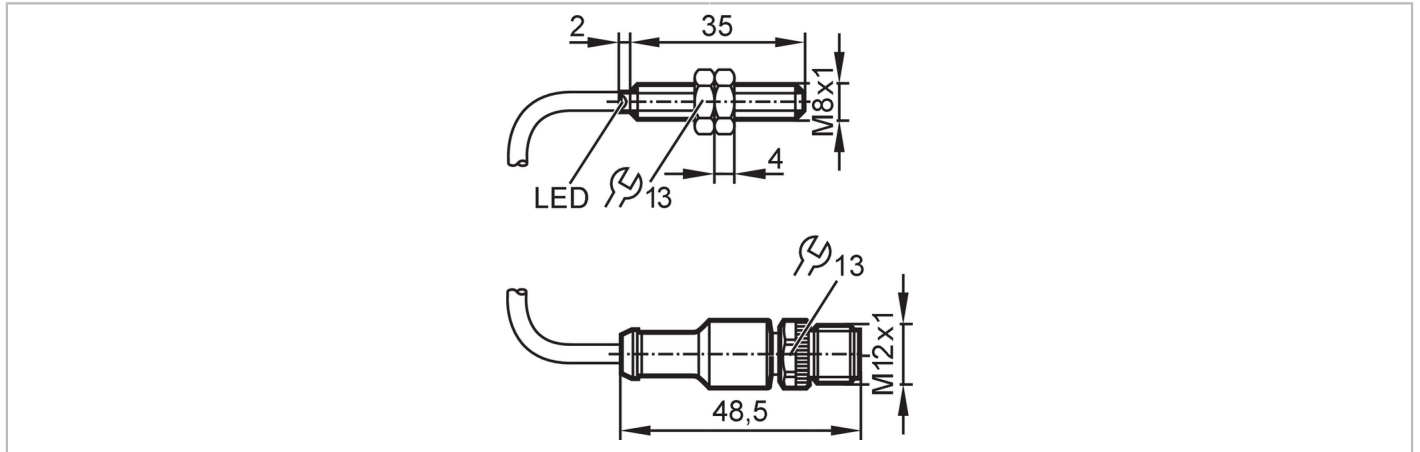


IE5351



Inductive sensor

IEBC003BASKG/0,3M/US



Product characteristics	
Electrical design	PNP/NPN
Output function	normally open
Sensing range [mm]	3
Housing	threaded type
Dimensions [mm]	M8 x 1 / L = 37
Electrical data	
Operating voltage [V]	10...30 DC
Current consumption [mA]	< 10; (only in 3-wire operation)
Protection class	III
Reverse polarity protection	yes
Outputs	
Electrical design	PNP/NPN
Output function	normally open
Max. voltage drop switching output DC [V]	2.8
Minimum load current [mA]	2; (only in 2-wire operation)
Max. leakage current [mA]	0.5; (only in 2-wire operation)
Permanent current rating of switching output DC [mA]	100
Switching frequency DC [Hz]	1000
Short-circuit protection	yes
Type of short-circuit protection	pulsed
Overload protection	yes
Detection zone	
Sensing range [mm]	3
Operating distance [mm]	0...2.4
Accuracy / deviations	
Correction factor	steel: 1 / stainless steel: 0.7 / brass: 0.5 / aluminium: 0.4 / copper: 0.3
Hysteresis [% of Sr]	1...15

IE5351



Inductive sensor

IEBC003BASKG/0,3M/US

Operating conditions

Ambient temperature	[°C]	0...60
Protection		IP 67

Tests / approvals

EMC		EN 60947-5-2
MTTF	[years]	1517
UL approval	Ta	-25...80 °C
	Enclosure type	Type 1
	voltage supply	Limited Voltage/Current
	File number UL	E174191

Mechanical data

Weight	[g]	31.2
Housing		threaded type
Mounting		flush mountable
Dimensions	[mm]	M8 x 1 / L = 37
Thread designation		M8 x 1
Materials		housing: brass white bronze coated; sensing face: LCP

Displays / operating elements

Display	switching status	1 x LED, yellow
---------	------------------	-----------------

Accessories

Items supplied		lock nuts: 2 x M8
----------------	--	-------------------

Remarks

Pack quantity		1 pcs.
---------------	--	--------

Electrical connection - plug

Cable: 0.3 m, PVC; 3 x 0.14 mm²

Connector: 1 x M12; coding: A; Contacts: 4; Locking: rotatable

