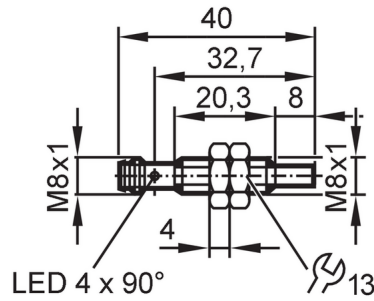


# IE5340



## Inductive sensor

IEBC005-ASKG/V4A/AS



### Product characteristics

Electrical design	PNP/NPN
Output function	normally open
Sensing range [mm]	5
Housing	threaded type
Dimensions [mm]	M8 x 1 / L = 40

### Electrical data

Operating voltage [V]	10...30 DC
Protection class	III
Reverse polarity protection	yes

### Outputs

Electrical design	PNP/NPN
Output function	normally open
Max. voltage drop switching output DC [V]	3.5
Minimum load current [mA]	2; (only in 2-wire operation)
Max. leakage current [mA]	0.5; (only in 2-wire operation)
Permanent current rating of switching output DC [mA]	100
Switching frequency DC [Hz]	600
Short-circuit protection	yes
Overload protection	yes

### Detection zone

Sensing range [mm]	5
Real sensing range $S_r$ [mm]	$5 \pm 10\%$
Operating distance [mm]	0...4.05

### Accuracy / deviations

Correction factor	steel: 1 / stainless steel: 0.7 / brass: 0.5 / aluminium: 0.5 / copper: 0.4
Hysteresis [% of $S_r$ ]	1...20
Switch point drift [% of $S_r$ ]	-10...10

### Operating conditions

Ambient temperature [°C]	0...60
Protection	IP 65; IP 67; (with ifm socket duly screwed on)

# IE5340



## Inductive sensor

IEBC005-ASKG/V4A/AS

Tests / approvals		
EMC	EN 61000-4-2 ESD	4 kV CD / 8 kV AD
	EN 61000-4-3 HF radiated	10 V/m
	EN 61000-4-4 Burst	2 kV
	EN 61000-4-6 HF conducted	10 V
	EN 55011	class B
MTTF [years]		1864
Embedded software included		yes
UL approval	Ta	0...60 °C
	Enclosure type	Type 1
	voltage supply	Limited Voltage/Current
	UL approval no.	A017
	File number UL	E174191

Mechanical data		
Weight [g]		13.8
Housing		threaded type
Mounting		non-flush mountable
Dimensions [mm]		M8 x 1 / L = 40
Thread designation		M8 x 1
Materials		stainless steel (316 / 1.4401); sensing face: LCP orange; LED window: PPSU; lock nuts: stainless steel (316 / 1.4401)
Tightening torque [Nm]		A = 5 mm: 2 Nm; B = 5 Nm

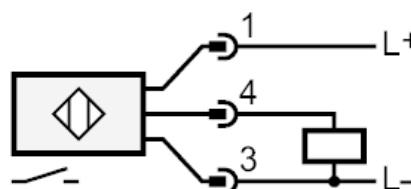
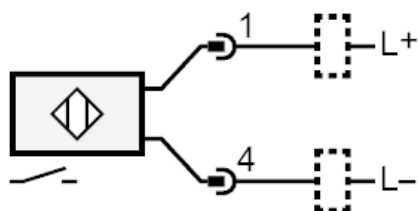
Displays / operating elements		
Display	switching status	4 LED, yellow

Accessories		
Items supplied		lock nuts: 2 x M8

Remarks		
Pack quantity		1 pcs.

### Electrical connection - plug

Connector: 1 x M8; coding: A; Contacts: 3



# IE5340

## Inductive sensor

IEBC005-ASKG/V4A/AS



### Diagrams and graphs

Installation

