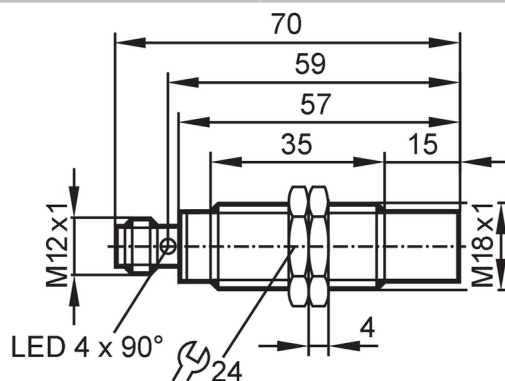


IGT249



Inductive full-metal sensor

IGK3012-BPKG/AM/P/US



Product characteristics		
Electrical design		PNP
Output function		normally open
Sensing range	[mm]	12
Housing		threaded type
Dimensions	[mm]	M18 x 1 / L = 70
Application		
Special feature	Gold-plated contacts; Increased sensing range; Full-metal housing	
Application	Use in hygienic areas / regular cleaning processes	
Pressure rating	100 bar	10 MPa
Note on pressure rating	sensing face	
Electrical data		
Operating voltage	[V]	10...36 DC
Current consumption	[mA]	< 25
Protection class		III
Reverse polarity protection		yes
Outputs		
Electrical design		PNP
Output function		normally open
Max. voltage drop switching output DC	[V]	2.5
Permanent current rating of switching output DC	[mA]	100
Switching frequency DC	[Hz]	500
Short-circuit protection		yes
Type of short-circuit protection		pulsed
Overload protection		yes
Detection zone		
Sensing range	[mm]	12
Real sensing range S_r	[mm]	$12 \pm 10 \%$
Operating distance	[mm]	0...9.7

IGT249



Inductive full-metal sensor

IGK3012-BPKG/AM/P/US

Increased sensing range	yes
-------------------------	-----

Accuracy / deviations

Correction factor	steel: 1 / stainless steel: 1 / brass: 0.7 / aluminium: 0.6 / copper: 0.4
Hysteresis [% of Sr]	1...20
Switch point drift [% of Sr]	-10...10

Operating conditions

Ambient temperature [°C]	0...100
Protection	IP 65; IP 67; IP 68; IP 69K

Tests / approvals

EMC	EN 61000-4-2 ESD	4 kV CD / 8 kV AD
	EN 61000-4-3 HF radiated	10 V/m
	EN 61000-4-4 Burst	2 kV
	EN 61000-4-6 HF conducted	10 V
	EN 55011 emission	class B
Impact resistance		1 J
MTTF [years]		1262
UL approval	Ta	0...40 °C
	Enclosure type	Type 1
	voltage supply	Limited Voltage/Current
	File number UL	E174191

Mechanical data

Weight [g]	63.016
Housing	threaded type
Mounting	non-flush mountable
Dimensions [mm]	M18 x 1 / L = 70
Thread designation	M18 x 1
Materials	housing: stainless steel (316L/1.4404); sensing face: stainless steel (316L/1.4404); LED window: PEI; lock nuts: stainless steel (316L/1.4404)
Full-metal housing	yes

Displays / operating elements

Display	switching status	4 x 90° LED, yellow
---------	------------------	---------------------

Accessories

Items supplied	lock nuts: 2
----------------	--------------

Remarks

Pack quantity	1 pcs.
---------------	--------

Electrical connection - plug

Connector: 1 x M12; coding: A; Contacts: 3, gold-plated



IGT249



Inductive full-metal sensor

IGK3012-BPKG/AM/P/US

Connection



Diagrams and graphs

Installation

