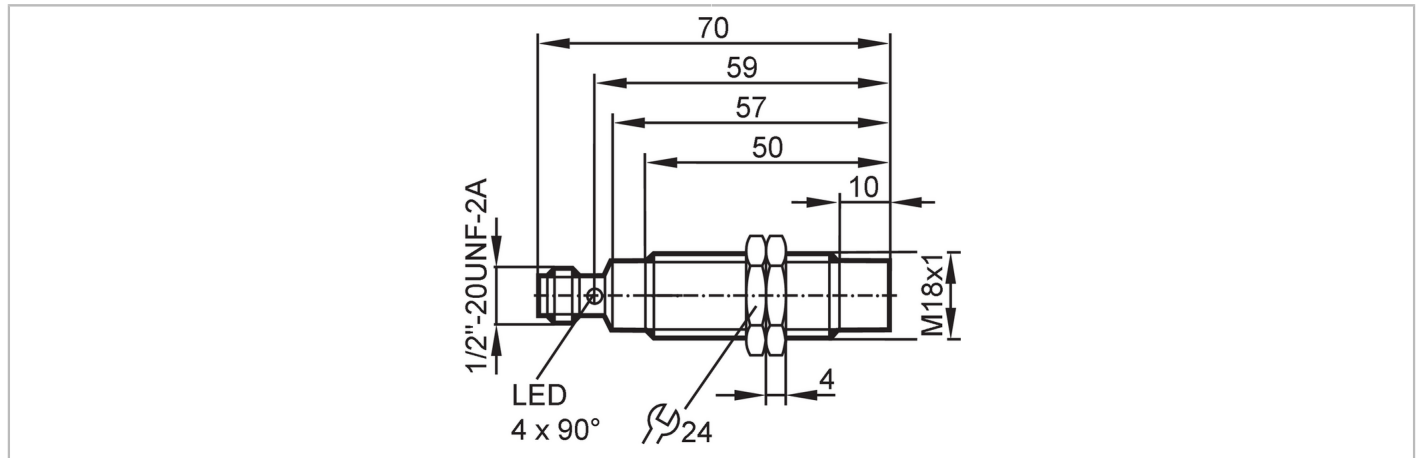




## Inductive sensor

IGK2012-ARKA/M/LS-104AK



| Product characteristics                              |   |
|--|---|
| Output function                                      | normally open                                 |
| Sensing range [mm]                                   | 12  |
| Housing  | threaded type                                 |
| Dimensions [mm]                                      | M18 x 1 / L = 70                              |
| Application  |   |
| Special feature                                      | Gold-plated contacts; Increased sensing range |
| Application  | Industrial applications / factory automation  |
| Electrical data                                      |   |
| Frequency AC [Hz]                                    | 47...63                                       |
| Operating voltage [V]                                | 20...140 AC/DC                                |
| Protection class                                     | II  |
| Reverse polarity protection                          | yes   |
| Outputs  |   |
| Output function                                      | normally open                                 |
| Max. voltage drop switching output DC [V]            | 5.5   |
| Max. voltage drop switching output AC [V]            | 5.5   |
| Minimum load current [mA]                            | 5   |
| Max. leakage current [mA]                            | 1   |
| Permanent current rating of switching output AC [mA] | 200   |
| Permanent current rating of switching output DC [mA] | 200   |
| Short-time current rating of switching output [mA]   | 1200; (20 ms / 0,5 Hz)                        |
| Switching frequency AC [Hz]                          | 25  |
| Switching frequency DC [Hz]                          | 25  |
| Short-circuit protection                             | yes   |
| Type of short-circuit protection                     | pulsed  |

# IGS002



## Inductive sensor

IGK2012-ARKA/M/LS-104AK

|                                      |                           |   |
|--------------------------------------|---------------------------|---|
| Overload protection                  |                           | yes   |
| <b>Detection zone</b>                |                           |   |
| Sensing range                        | [mm]                      | 12  |
| Real sensing range Sr                | [mm]                      | 12 ± 10 %   |
| Operating distance                   | [mm]                      | 0...9.7   |
| Increased sensing range              |                           | yes   |
| <b>Accuracy / deviations</b>         |                           |   |
| Correction factor                    |                           | steel: 1 / stainless steel: 0.7 / brass: 0.5 / aluminium: 0.4 / copper: 0.3 |
| Hysteresis                           | [% of Sr]                 | 3...15  |
| Switch point drift                   | [% of Sr]                 | -10...10  |
| <b>Operating conditions</b>          |                           |   |
| Ambient temperature                  | [°C]                      | -25...70  |
| Protection                           |                           | IP 67   |
| <b>Tests / approvals</b>             |                           |   |
| EMC                                  | EN 61000-4-2 ESD          | 4 kV CD / 8 kV AD   |
|                                      | EN 61000-4-3 HF radiated  | 10 V/m  |
|                                      | EN 61000-4-4 Burst        | 2 kV  |
|                                      | EN 61000-4-6 HF conducted | 10 V  |
|                                      | EN 55011                  | class B   |
| MTTF                                 | [years]                   | 394   |
| UL approval                          | Ta                        | 0...40 °C   |
|                                      | Enclosure type            | Type 1  |
|                                      | File number UL            | E174191   |
| <b>Mechanical data</b>               |                           |   |
| Weight                               | [g]                       | 60  |
| Housing                              |                           | threaded type   |
| Mounting                             |                           | non-flush mountable   |
| Dimensions                           | [mm]                      | M18 x 1 / L = 70  |
| Thread designation                   |                           | M18 x 1   |
| Materials                            |                           | housing: brass white bronze coated; sensing face: PBT                       |
| <b>Displays / operating elements</b> |                           |   |
| Display                              | switching status          | 4 x 90° LED, yellow   |
| <b>Accessories</b>                   |                           |   |
| Items supplied                       |                           | lock nuts: 2  |
| <b>Remarks</b>                       |                           |   |
| Pack quantity                        |                           | 1 pcs.  |

# IGS002



## Inductive sensor

IGK2012-ARKA/M/LS-104AK

### Electrical connection - plug

Connector: 1 x 1/2"; coding: C; Contacts: 2, gold-plated

