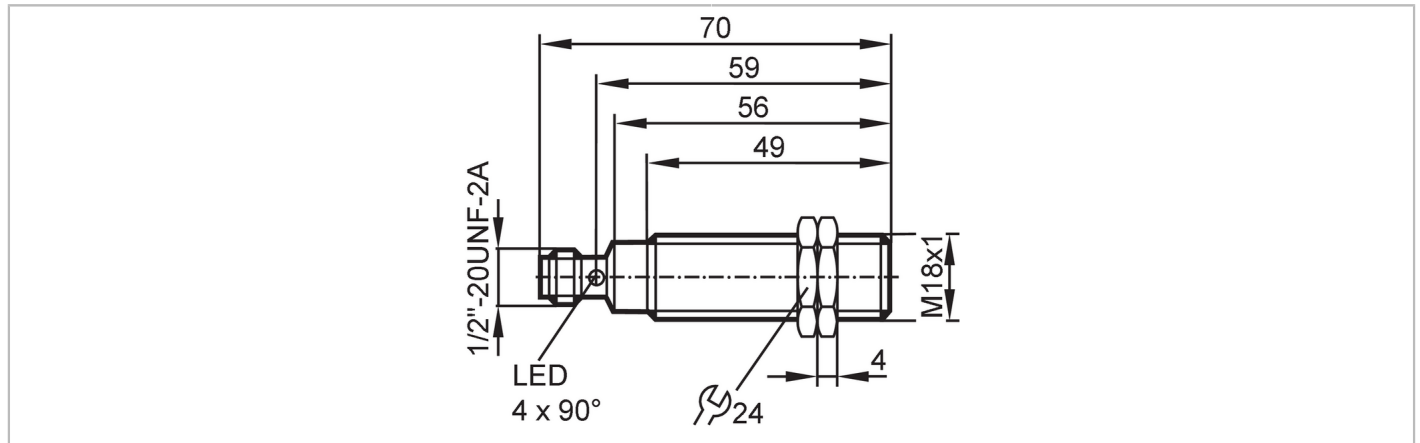


IGS001



Inductive sensor

IGK2008BARKA/M/LS-104AK



Product characteristics	
Output function	normally open
Sensing range [mm]	8
Housing	threaded type
Dimensions [mm]	M18 x 1 / L = 70
Application	
Special feature	Gold-plated contacts; Increased sensing range
Application	Industrial applications / factory automation
Electrical data	
Frequency AC [Hz]	47...63
Operating voltage [V]	20...140 AC/DC
Protection class	II
Reverse polarity protection	yes
Outputs	
Output function	normally open
Max. voltage drop switching output DC [V]	5.5
Max. voltage drop switching output AC [V]	5.5
Minimum load current [mA]	5
Max. leakage current [mA]	1
Permanent current rating of switching output AC [mA]	200
Permanent current rating of switching output DC [mA]	200
Short-time current rating of switching output [mA]	1200; (20 ms / 0,5 Hz)
Switching frequency AC [Hz]	25
Switching frequency DC [Hz]	25
Short-circuit protection	yes
Type of short-circuit protection	pulsed
Overload protection	yes

IGS001



Inductive sensor

IGK2008BARKA/M/LS-104AK

Detection zone		
Sensing range	[mm]	8
Real sensing range Sr	[mm]	8 ± 10 %
Operating distance	[mm]	0...6.5
Increased sensing range		yes
Accuracy / deviations		
Correction factor		steel: 1 / stainless steel: 0.7 / brass: 0.5 / aluminium: 0.4 / copper: 0.3
Hysteresis	[% of Sr]	3...15
Switch point drift	[% of Sr]	-10...10
Operating conditions		
Ambient temperature	[°C]	-25...70
Protection		IP 67
Tests / approvals		
EMC	EN 61000-4-2 ESD	4 kV CD / 8 kV AD
	EN 61000-4-3 HF radiated	10 V/m
	EN 61000-4-4 Burst	2 kV
	EN 61000-4-6 HF conducted	10 V
	EN 55011	class B
MTTF	[years]	394
UL approval	Ta	0...40 °C
	Enclosure type	Type 1
	File number UL	E174191
Mechanical data		
Weight	[g]	60.9
Housing		threaded type
Mounting		flush mountable
Dimensions	[mm]	M18 x 1 / L = 70
Thread designation		M18 x 1
Materials		housing: brass white bronze coated; sensing face: PBT
Displays / operating elements		
Display	switching status	4 x 90° LED, yellow
Accessories		
Items supplied		lock nuts: 2
Remarks		
Pack quantity		1 pcs.

IGS001



Inductive sensor

IGK2008BARKA/M/LS-104AK

Electrical connection - plug

Connector: 1 x 1/2"; coding: C; Contacts: 2, gold-plated

