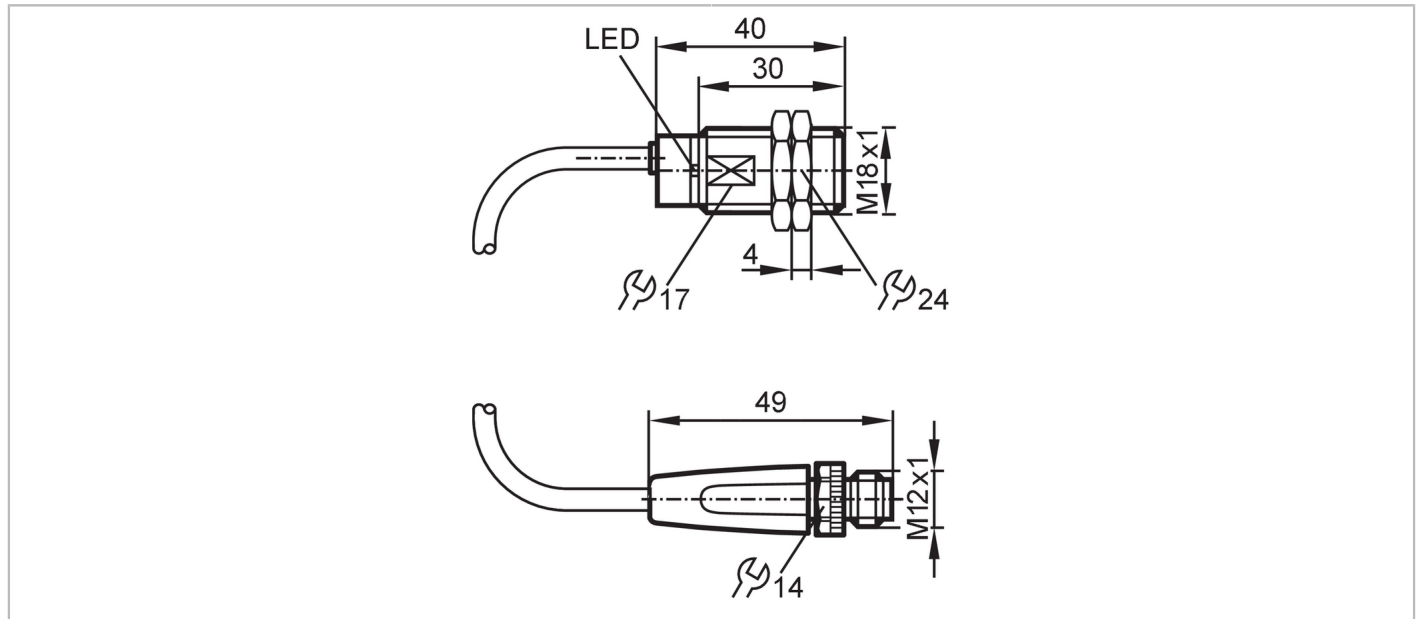


IGR206



Inductive full-metal sensor

IGB2006BARKG/AM/SC/0,3M/US/2LE



Product characteristics	
Electrical design	PNP/NPN
Output function	normally open
Sensing range [mm]	6
Housing	threaded type
Dimensions [mm]	M18 x 1 / L = 40
Application	
Special feature	Gold-plated contacts; Increased sensing range; Full-metal housing; Optical setting aid
Application	Use in welding applications
Pressure rating [bar]	20
Note on pressure rating	sensing face
Electrical data	
Operating voltage [V]	10...36 DC
Protection class	III
Reverse polarity protection	yes
Outputs	
Electrical design	PNP/NPN
Output function	normally open
Max. voltage drop switching output DC [V]	4.5
Minimum load current [mA]	2
Max. leakage current [mA]	0.6
Permanent current rating of switching output DC [mA]	100
Switching frequency DC [Hz]	50
Short-circuit protection	yes

IGR206



Inductive full-metal sensor

IGB2006BARKG/AM/SC/0,3M/US/2LE

Type of short-circuit protection	pulsed
Overload protection	yes

Detection zone	
Sensing range [mm]	6
Operating distance [mm]	0...4.86
Increased sensing range	yes

Accuracy / deviations	
Correction factor	steel: 1 / stainless steel: 0.7 / brass: 0.5 / aluminium: 0.3 / copper: 0.1
Hysteresis [% of Sr]	1...20

Operating conditions	
Ambient temperature [°C]	-25...70
Protection	IP 67

Tests / approvals		
EMC	EN 61000-4-2 ESD	4 kV CD / 8 kV AD
	EN 61000-4-3 HF radiated	10 V/m
	EN 61000-4-4 Burst	2 kV
	EN 61000-4-6 HF conducted	10 V
	EN 55011 emission	class B
Impact resistance		1 J
MTTF [years]		860
UL approval	Ta	0...40 °C
	Enclosure type	Type 1
	voltage supply	Limited Voltage/Current
	File number UL	E174191

Mechanical data	
Weight [g]	67.2
Housing	threaded type
Mounting	flush mountable
Dimensions [mm]	M18 x 1 / L = 40
Thread designation	M18 x 1
Materials	housing: stainless steel (316L/1.4404) anti-spatter; sensing face: stainless steel (316L/1.4404) anti-spatter; cable plug: PA; lock nuts: stainless steel (316L/1.4404) anti-spatter
Full-metal housing	yes

Displays / operating elements		
Display	switching status	1 x LED, green
	setting aid	1 x LED, red
Optical setting aid		yes

Accessories	
Items supplied	lock nuts: 2

Remarks	
Pack quantity	1 pcs.

IGR206



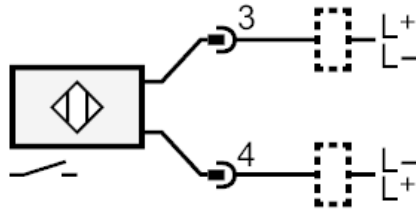
Inductive full-metal sensor

IGB2006BARKG/AM/SC/0,3M/US/2LE

Electrical connection - plug

Cable: 0.3 m, PVC; 2 x 0.5 mm²

Connector: 1 x M12; coding: A; Contacts: 2, gold-plated; Locking: rotatable



Diagrams and graphs

Installation

