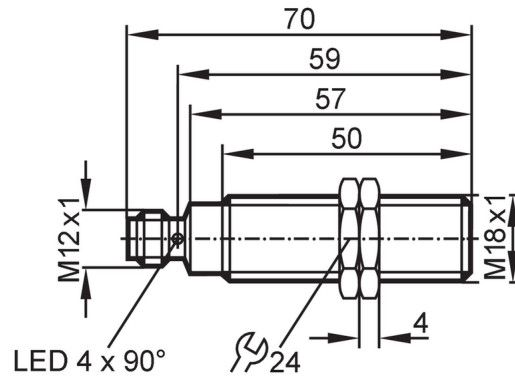


IGC250



Inductive full-metal sensor

IGK34,5-APKG/AM/US-104/K0



| Product characteristics | | |
|---|--|------------------|
| Electrical design | | PNP |
| Output function | | normally closed |
| Sensing range | [mm] | 4.5 |
| Housing | | threaded type |
| Dimensions | [mm] | M18 x 1 / L = 70 |
| Application | | |
| Special feature | Gold-plated contacts; Full-metal housing; Correction factor K = 0 | |
| Application | Use in machine tools, coolants and lubricants; ferrous only; aluminium chip immune | |
| Pressure rating | 100 bar | 10 MPa |
| Note on pressure rating | sensing face | |
| Electrical data | | |
| Operating voltage | [V] | 10...36 DC |
| Current consumption | [mA] | < 20 |
| Protection class | | III |
| Reverse polarity protection | | yes |
| Outputs | | |
| Electrical design | | PNP |
| Output function | | normally closed |
| Max. voltage drop switching output DC | [V] | 2.5 |
| Permanent current rating of switching output DC | [mA] | 100 |
| Switching frequency DC | [Hz] | 100 |
| Short-circuit protection | | yes |
| Type of short-circuit protection | | pulsed |
| Overload protection | | yes |
| Detection zone | | |
| Sensing range | [mm] | 4.5 |
| Operating distance | [mm] | 0...3.64 |

IGC250



Inductive full-metal sensor

IGK34,5-APKG/AM/US-104/K0

| Accuracy / deviations | | |
|---|---------------------------|---|
| Correction factor | | steel: 1 / stainless steel: 0.5 |
| Hysteresis [% of Sr] | | 1...20 |
| Correction factor K = 0 | | yes |
| Operating conditions | | |
| Ambient temperature [°C] | | -25...70 |
| Protection | | IP 68; ("Coolant") |
| Tests / approvals | | |
| EMC | EN 61000-4-2 ESD | 4 kV CD / 8 kV AD |
| | EN 61000-4-3 HF radiated | 10 V/m |
| | EN 61000-4-4 Burst | 2 kV |
| | EN 61000-4-6 HF conducted | 10 V |
| | EN 55011 | class B |
| Impact resistance | | 1 J |
| MTTF [years] | | 1258 |
| UL approval | Ta | 0...40 °C |
| | Enclosure type | Type 1 |
| | power supply | Limited Voltage/Current |
| | File number UL | E174191 |
| Mechanical data | | |
| Weight [g] | | 55.3 |
| Housing | | threaded type |
| Mounting | | flush mountable |
| Dimensions [mm] | | M18 x 1 / L = 70 |
| Thread designation | | M18 x 1 |
| Materials | | housing: stainless steel (316L/1.4404); sensing face: stainless steel (316L/1.4404); LED window: PA; lock nuts: stainless steel (316L/1.4404) |
| Full-metal housing | | yes |
| Displays / operating elements | | |
| Display | switching status | 4 x 90° LED, yellow |
| Accessories | | |
| Items supplied | | lock nuts: 2 |
| Remarks | | |
| Pack quantity | | 1 pcs. |
| Electrical connection - plug | | |
| Connector: 1 x M12; coding: A; Contacts: 4, gold-plated | | |
| | | |

IGC250



Inductive full-metal sensor

IGK34,5-APKG/AM/US-104/K0

Connection

