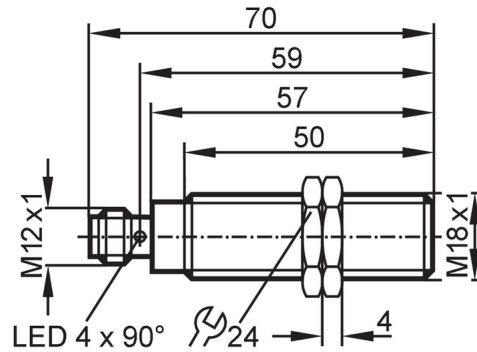


IGC248



Inductive full-metal sensor

IGK3005-BPKG/AM/US-104



Product characteristics	
Electrical design	PNP
Output function	normally open
Sensing range [mm]	5
Housing	threaded type
Dimensions [mm]	M18 x 1 / L = 70
Application	
Special feature	Gold-plated contacts; Full-metal housing
Application	Use in machine tools, coolants and lubricants
Pressure rating	100 bar / 10 MPa
Note on pressure rating	sensing face
Electrical data	
Operating voltage [V]	10...36 DC
Current consumption [mA]	< 20
Protection class	III
Reverse polarity protection	yes
Outputs	
Electrical design	PNP
Output function	normally open
Max. voltage drop switching output DC [V]	2.5
Permanent current rating of switching output DC [mA]	100
Switching frequency DC [Hz]	100
Short-circuit protection	yes
Type of short-circuit protection	pulsed
Overload protection	yes
Detection zone	
Sensing range [mm]	5
Operating distance [mm]	0...4.05
Accuracy / deviations	
Correction factor	steel: 1 / stainless steel: 0.5 / brass: 0.5 / aluminium: 0.3 / copper: 0.1

IGC248



Inductive full-metal sensor

IGK3005-BPKG/AM/US-104

Hysteresis	[% of Sr]	1...20
------------	-----------	--------

Operating conditions

Ambient temperature	[°C]	-25...70
---------------------	------	----------

Protection	IP 67; IP 68; ("Coolant")
------------	---------------------------

Tests / approvals

EMC	EN 61000-4-2 ESD	4 kV CD / 8 kV AD
	EN 61000-4-3 HF radiated	10 V/m
	EN 61000-4-4 Burst	2 kV
	EN 61000-4-6 HF conducted	10 V
	EN 55011 emission	class B

Impact resistance	1 J
-------------------	-----

MTTF	[years]	1258
------	---------	------

UL approval	Ta	-25...70 °C
	Enclosure type	Type 1
	power supply	Limited Voltage/Current
	UL approval no.	A012
	File number UL	E174191

Mechanical data

Weight	[g]	55.3
--------	-----	------

Housing	threaded type
---------	---------------

Mounting	flush mountable
----------	-----------------

Dimensions	[mm]	M18 x 1 / L = 70
------------	------	------------------

Thread designation	M18 x 1
--------------------	---------

Materials	housing: stainless steel (316L/1.4404); sensing face: stainless steel (316L/1.4404); LED window: PA; lock nuts: stainless steel (316L/1.4404)
-----------	---

Full-metal housing	yes
--------------------	-----

Displays / operating elements

Display	switching status	4 x 90° LED, yellow
---------	------------------	---------------------

Accessories

Items supplied	lock nuts: 2
----------------	--------------

Remarks

Pack quantity	1 pcs.
---------------	--------

Electrical connection - plug

Connector: 1 x M12; coding: A; Contacts: 4, gold-plated



IGC248

Inductive full-metal sensor

IGK3005-BPKG/AM/US-104



Connection

