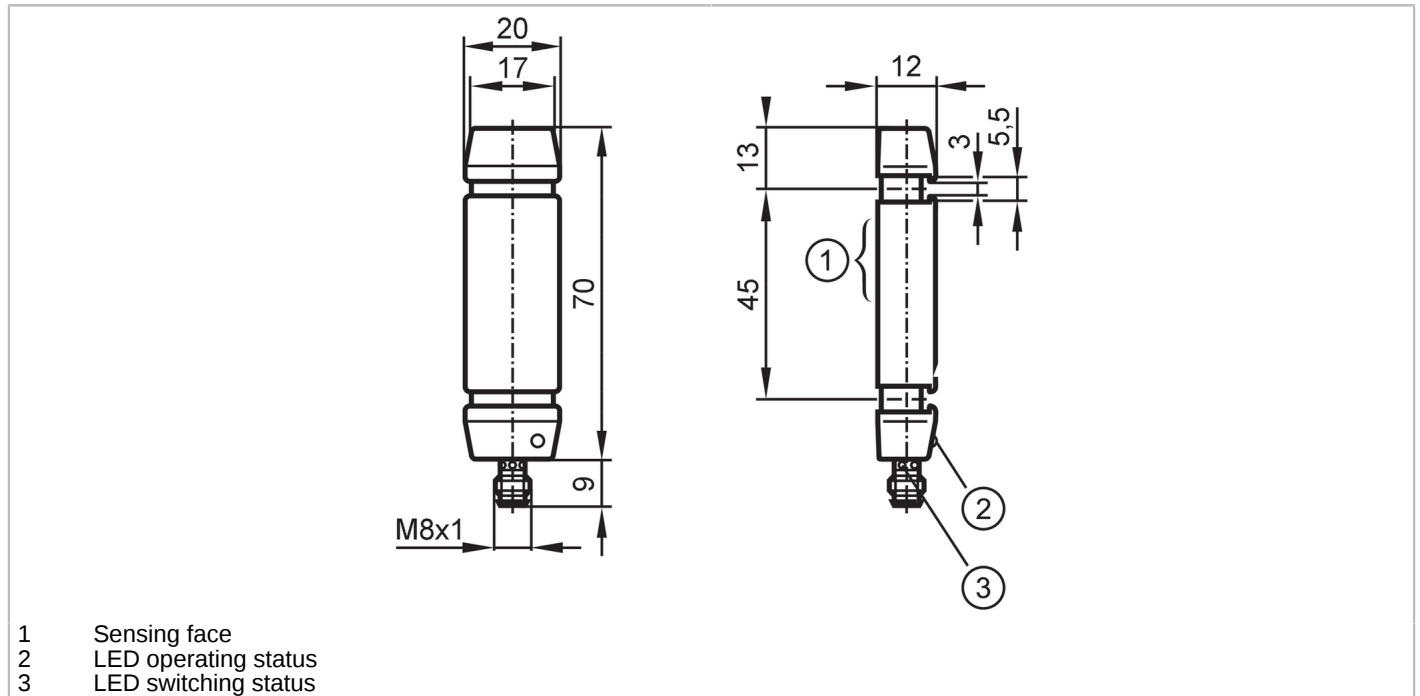




## Inductive tube sensor

I8-3014-BPKG/AS-610-DPS



### Product characteristics

Electrical design		PNP
Output function		normally open
Sensing range	[mm]	< 14
Housing		rectangular
Dimensions	[mm]	70 x 20 x 12

### Application

Operating principle		static
Application		Industrial applications / factory automation

### Electrical data

Operating voltage	[V]	10...35 DC
Current consumption	[mA]	< 15
Protection class		III
Reverse polarity protection		yes

### Outputs

Electrical design		PNP
Output function		normally open
Max. voltage drop switching output DC	[V]	2
Permanent current rating of switching output DC	[mA]	200
Short-circuit protection		yes
Overload protection		yes

### Detection zone

Sensing range	[mm]	< 14
---------------	------	------

# I85000



## Inductive tube sensor

I8-3014-BPKG/AS-610-DPS

Resolution of steel ball (diameter)	[mm]	3
Max. part speed	[m/s]	35

### Response times

Pulse stretching	[ms]	100
Max. fall time	[ms]	100
Response time	[ms]	< 0.5

### Operating conditions

Ambient temperature	[°C]	-25...70
Protection		IP 67

### Tests / approvals

MTTF	[years]	1332
UL approval	Ta	-25...70 °C
	Enclosure type	Type 4X (indoor use only) / 12 and 13
	voltage supply	Class 2
	File number UL	E174191

### Mechanical data

Weight	[g]	50
Housing		rectangular
Dimensions	[mm]	70 x 20 x 12
Materials		housing: PC

### Displays / operating elements

Display	switching status	1 x LED, yellow
	operation	1 x LED, green

### Accessories

Items supplied	fixing straps: 2
----------------	------------------

### Remarks

Pack quantity	1 pcs.
---------------	--------

### Electrical connection - plug

Connector: 1 x M8; coding: A; Contacts: 3



# I85000



## Inductive tube sensor

I8-3014-BPKG/AS-610-DPS

### Connection

