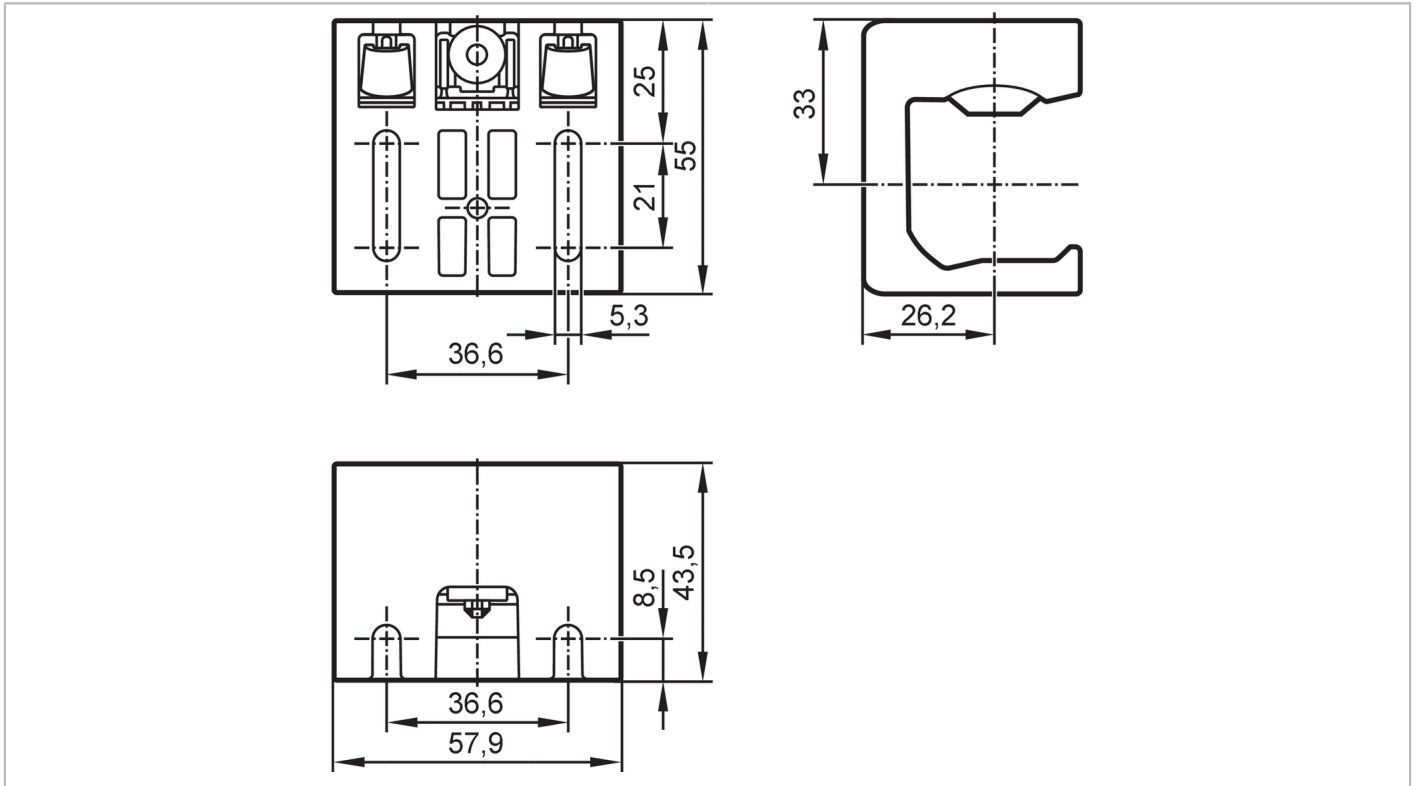


# EY3013



## Adjustable angle bracket for safety light grids

CLAMPING BRACKET/W LOGO



Mechanical data	
Weight	[g] 286
Dimensions	[mm] 55 x 57.9 x 43.5
Materials	PA 6.6 glass fibre reinforced
Tightening torque	[Nm] 2.5
Alignment range	fine adjustment in 1 axis $\pm 6^\circ$
Remarks	
Remarks	removal by loosening the screw and then pushing it
Pack quantity	4 pcs.