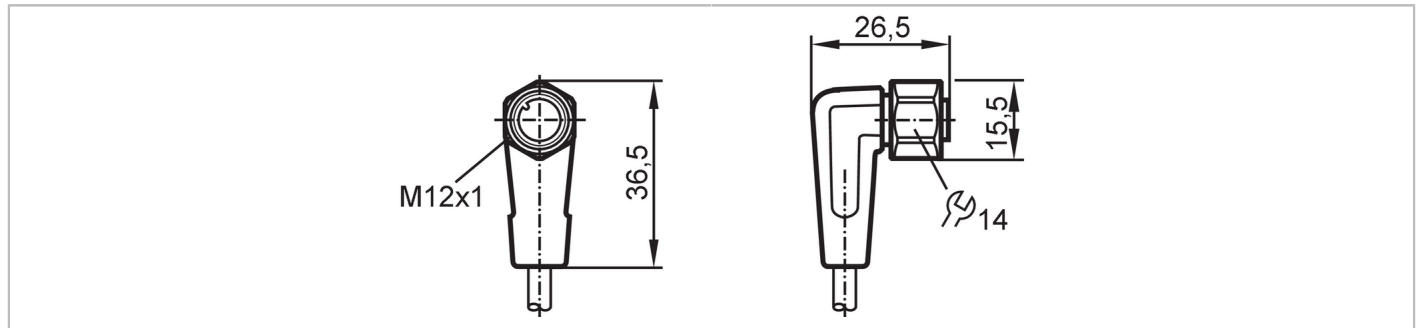


# EVF014



## Connecting cable with socket

ADOAH050VAS0010P05



Application									
Special feature	Free from silicone; Halogen-free; Gold-plated contacts; Drag chain suitability								
Application	hygienic and wet areas in the food industry								
Free from silicone	yes								
Electrical data									
Operating voltage [V]	< 60 AC/DC								
Protection class	II								
Max. current load total [A]	4								
Overall current rating (UL) [A]	3								
Operating conditions									
Ambient temperature [°C]	-25...100								
Note on ambient temperature	cULus: ...65 °C								
Ambient temperature (moving) [°C]	0...100								
Note on ambient temperature (moving)	cULus: ...65 °C								
Storage temperature [°C]	-25...55								
Storage humidity [%]	10...100								
Other climatic conditions for storage according to stated class	1K22/ DIN 60721-3-1								
Protection	IP 65; IP 67; IP 68; IP 69K								
Mechanical data									
Weight [g]	367.1								
Dimensions [mm]	26.5 x 15.5 x 36.5								
Moulded-body material	PP, Halogen-free								
Material nut	stainless steel (316L/1.4404)								
Sealing material	EPDM								
Drag chain suitability	yes								
Drag chain suitability	<table border="1"> <tr> <td>bending radius for flexible use</td> <td>min. 10 x cable diameter</td> </tr> <tr> <td>travel speed</td> <td>max. 3.3 m/s for a horizontal travel length of 5 m and max. acceleration of 5 m/s<sup>2</sup></td> </tr> <tr> <td>bending cycles</td> <td>&gt; 1 Mio.</td> </tr> <tr> <td>torsional strain</td> <td>± 180 °/m</td> </tr> </table>	bending radius for flexible use	min. 10 x cable diameter	travel speed	max. 3.3 m/s for a horizontal travel length of 5 m and max. acceleration of 5 m/s <sup>2</sup>	bending cycles	> 1 Mio.	torsional strain	± 180 °/m
bending radius for flexible use	min. 10 x cable diameter								
travel speed	max. 3.3 m/s for a horizontal travel length of 5 m and max. acceleration of 5 m/s <sup>2</sup>								
bending cycles	> 1 Mio.								
torsional strain	± 180 °/m								

# EVF014



## Connecting cable with socket

ADOAH050VAS0010P05

### Remarks

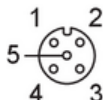
Pack quantity 1 pcs.

### Electrical connection

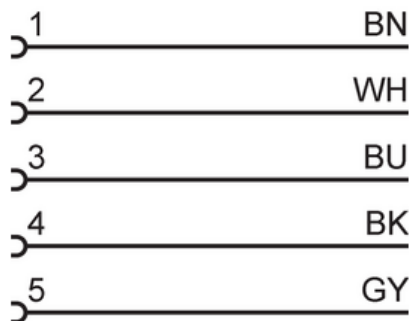
Cable: 10 m, MPPE, Halogen-free, grey, Ø 5.1 mm; 5 x 0.34 mm<sup>2</sup> (42 x Ø 0.1 mm )

### Electrical connection - socket

Connector: 1 x M12, angled; coding: A; Contacts: 5, gold-plated; Moulded body: PP, Halogen-free; Locking: stainless steel (316L/1.4404); Sealing: EPDM; Tightening torque: 0.6...1.5 Nm



### Connection



Core colours :  
BK = black  
BN = brown  
BU = blue  
GY = grey  
WH = white