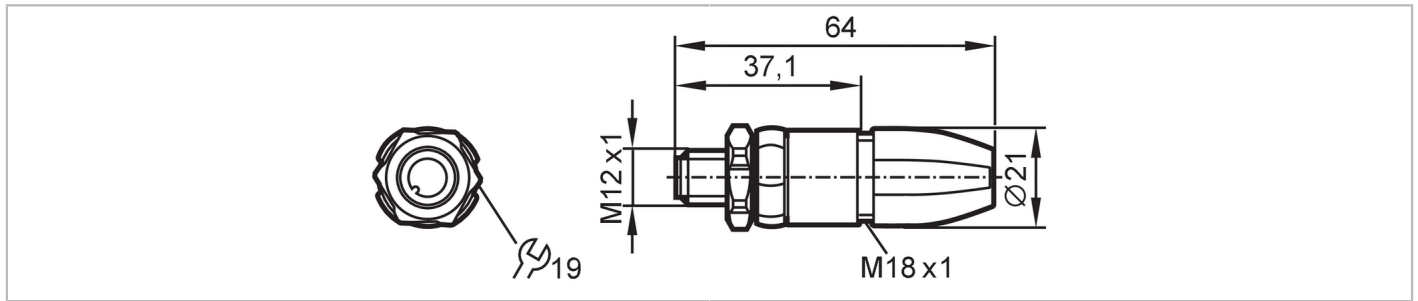


# EVF571



## Wirable plug

SSTGH050VASFKPG



Application	
Special feature	Free from silicone; Gold-plated contacts
Application	hygienic and wet areas in the food industry
Free from silicone	yes
Electrical data	
Operating voltage [V]	< 60 AC/DC
Protection class	II
Max. current load total [A]	4; (...40 °C)
Operating conditions	
Ambient temperature [°C]	-25...100
Storage temperature [°C]	-25...55
Storage humidity [%]	10...100
Other climatic conditions for storage according to stated class	1K22/ DIN 60721-3-1
Protection	IP 65; IP 67; IP 68; IP 69K
Mechanical data	
Weight [g]	32.9
Moulded-body material	PA 6.6
Material nut	stainless steel (316L/1.4404)
Sealing material	EPDM
Remarks	
Pack quantity	1 pcs.
Electrical connection	
screw terminals: 0.25...1 mm <sup>2</sup> ; Cable sheath: Ø 3.5...6 mm; AWG 23...17	
Electrical connection - plug	
Connector: 1 x M12, straight; coding: A; Contacts: 5, gold-plated; Moulded body: PA 6.6, grey; Locking: stainless steel (316L/1.4404); Sealing: EPDM; Tightening torque: 0.6...1.2 Nm; Take into account the maximum value of the counterpart!	

# EVF571



## Wirable plug

SSTGH050VASFKPG

### Connection

