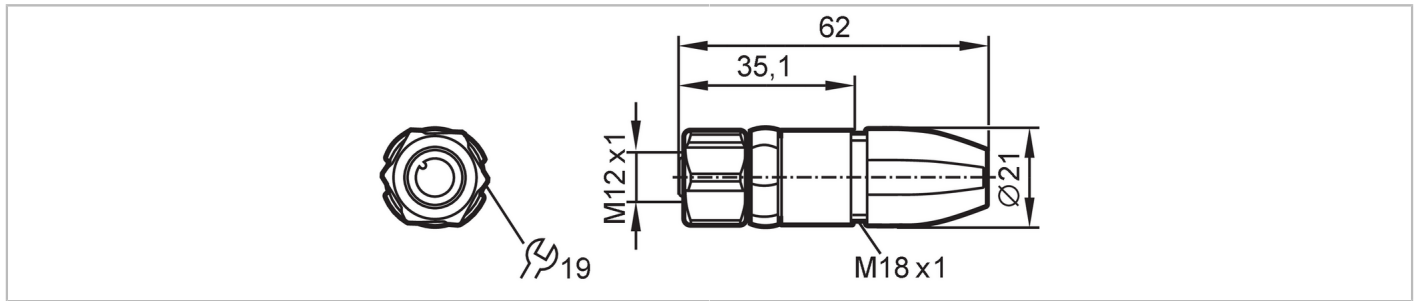


EVF565



Wirable socket

SDOGH040VASFKPG



| Application | |
|---|---|
| Special feature | Free from silicone; Gold-plated contacts |
| Application | hygienic and wet areas in the food industry |
| Free from silicone | yes |
| Electrical data | |
| Operating voltage [V] | < 250 AC / < 300 DC |
| Protection class | II |
| Max. current load total [A] | 4; (...40 °C) |
| Operating conditions | |
| Ambient temperature [°C] | -25...100 |
| Storage temperature [°C] | -25...55 |
| Storage humidity [%] | 10...100 |
| Other climatic conditions for storage according to stated class | 1K22/ DIN 60721-3-1 |
| Protection | IP 65; IP 67; IP 68; IP 69K |
| Mechanical data | |
| Weight [g] | 40.1 |
| Moulded-body material | PA 6.6 |
| Material nut | stainless steel (316L/1.4404) |
| Sealing material | EPDM |
| Remarks | |
| Pack quantity | 1 pcs. |
| Electrical connection | |
| screw terminals: 0.25...1 mm ² ; Cable sheath: Ø 3.5...6 mm; AWG 23...17 | |
| Electrical connection - socket | |
| Connector: 1 x M12, straight; coding: A; Moulded body: PA 6.6, grey; Locking: stainless steel (316L/1.4404); Sealing: EPDM; Contacts: gold-plated; Tightening torque: 0.6...1.2 Nm; Take into account the maximum value of the counterpart! | |
| | |

EVF565

Wirable socket

SDOGH040VASFKPG



Connection

