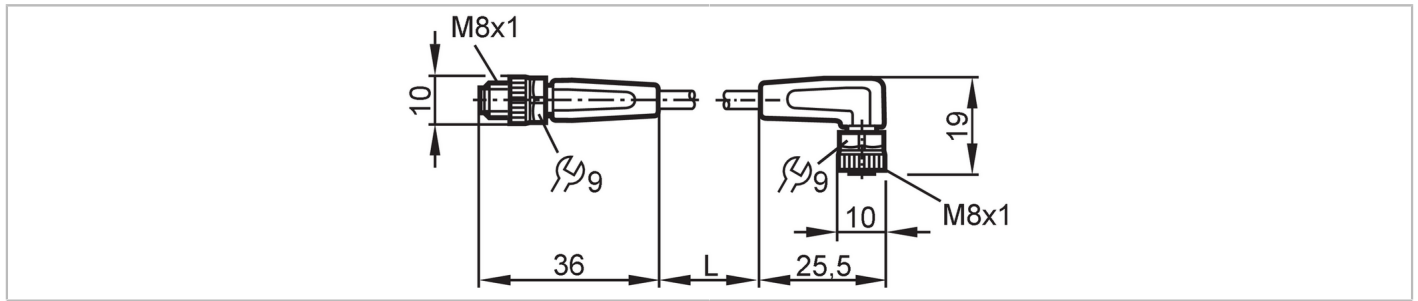


# EVC276



## Connection cable

VDOAF030MSS00,6H03STGF030MSS



Application									
Special feature	Free from silicone; Halogen-free; Gold-plated contacts; Drag chain suitability								
Application	Industrial applications / factory automation; Use in machine tools, coolants and lubricants								
Free from silicone	yes								
Electrical data									
Operating voltage [V]	< 50 AC / < 60 DC								
Protection class	III								
Max. current load total [A]	3								
Operating conditions									
Ambient temperature [°C]	-25...90								
Note on ambient temperature	cULus: ...80								
Ambient temperature (moving) [°C]	-25...90								
Note on ambient temperature (moving)	cULus: ...80								
Protection	IP 65; IP 67; IP 68; IP 69K								
Mechanical data									
Weight [g]	31.1								
Dimensions [mm]	10 x 10 x 36								
Moulded-body material	TPU								
Material nut	brass, nickel-plated								
Sealing material	FKM								
Drag chain suitability	yes								
Drag chain suitability	<table border="1"> <tr> <td>bending radius for flexible use</td> <td>min. 10 x cable diameter</td> </tr> <tr> <td>travel speed</td> <td>max. 3.3 m/s for a horizontal travel length of 5 m and max. acceleration of 5 m/s<sup>2</sup></td> </tr> <tr> <td>bending cycles</td> <td>&gt; 5 Mio.</td> </tr> <tr> <td>torsional strain</td> <td>± 180 °/m</td> </tr> </table>	bending radius for flexible use	min. 10 x cable diameter	travel speed	max. 3.3 m/s for a horizontal travel length of 5 m and max. acceleration of 5 m/s <sup>2</sup>	bending cycles	> 5 Mio.	torsional strain	± 180 °/m
bending radius for flexible use	min. 10 x cable diameter								
travel speed	max. 3.3 m/s for a horizontal travel length of 5 m and max. acceleration of 5 m/s <sup>2</sup>								
bending cycles	> 5 Mio.								
torsional strain	± 180 °/m								
Remarks									
Pack quantity	1 pcs.								



## Connection cable

VDOAF030MSS00,6H03STGF030MSS

### Electrical connection - plug

Connector: 1 x M8, straight; coding: A; Contacts: 3, gold-plated; Moulded body: TPU, orange; Locking: brass, nickel-plated; Tightening torque: 0.3...0.5 Nm



### Electrical connection

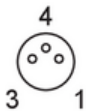
Cable: 0.6 m, PUR, Halogen-free, black,  $\varnothing$  3.7 mm; 3 x 0.25 mm<sup>2</sup> (32 x  $\varnothing$  0.1 mm)

### Connection



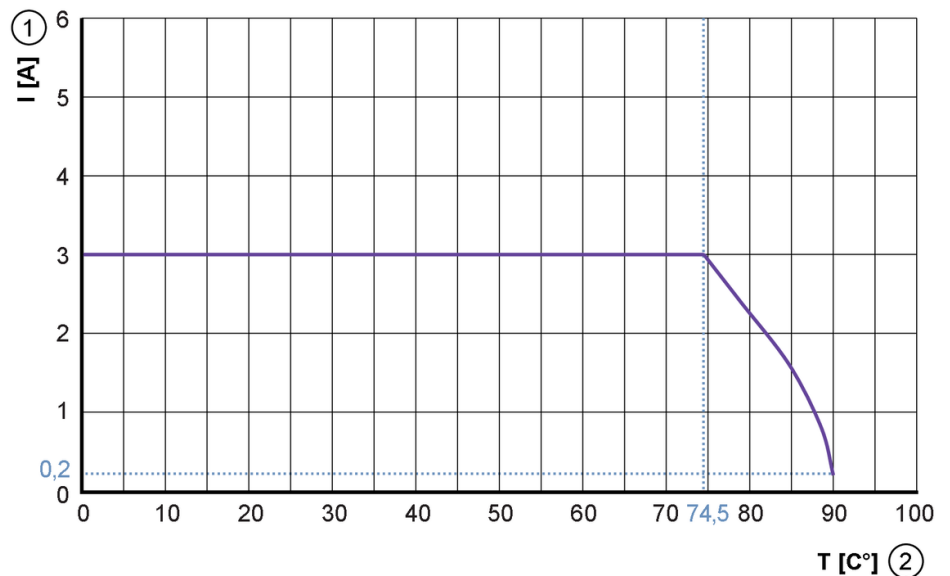
### Electrical connection - socket

Connector: 1 x M8, angled; coding: A; Contacts: 3, gold-plated; Moulded body: TPU, orange; Locking: brass, nickel-plated; Sealing: FKM; Tightening torque: 0.3...0.5 Nm



### Diagrams and graphs

characteristic line for derating



- 1 Current [A]
- 2 Ambient temperature [°C]