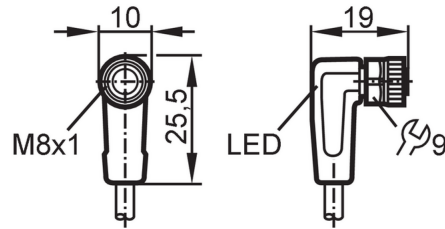


# EVC149



## Connecting cable with socket

ADOAF032MSS0010H03



Application		
Special feature	Free from silicone; Halogen-free; Gold-plated contacts; Drag chain suitability	
Application	Industrial applications / factory automation; Use in machine tools, coolants and lubricants	
Free from silicone	yes	
Electrical data		
Operating voltage [V]	10...36 DC	
Protection class	III	
Max. current load total [A]	3	
Outputs		
Electrical design	PNP	
Operating conditions		
Ambient temperature [°C]	-25...90	
Note on ambient temperature	cULus: ...80	
Ambient temperature (moving) [°C]	-25...90	
Note on ambient temperature (moving)	cULus: ...80	
Protection	IP 65; IP 67; IP 68; IP 69K	
Tests / approvals		
MTTF [years]	31710	
Mechanical data		
Weight [g]	204.3	
Dimensions [mm]	19 x 10 x 25.5	
Moulded-body material	TPU	
Material nut	brass, nickel-plated	
Sealing material	FKM	
Drag chain suitability	yes	
Drag chain suitability	bending radius for flexible use	min. 10 x cable diameter
	travel speed	max. 3.3 m/s for a horizontal travel length of 5 m and max. acceleration of 5 m/s <sup>2</sup>
	bending cycles	> 5 Mio.
	torsional strain	± 180 °/m
Displays / operating elements		
Display	switching status	1 x LED, yellow
	operation	1 x LED, green

# EVC149



## Connecting cable with socket

ADOAF032MSS0010H03

### Remarks

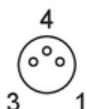
Pack quantity: 1 pcs.

### Electrical connection

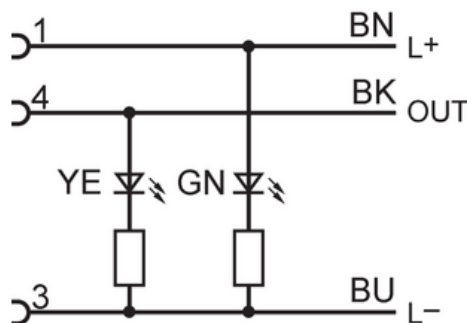
Cable: 10 m, PUR, Halogen-free, black, Ø 3.7 mm; 3 x 0.25 mm<sup>2</sup> (32 x Ø 0.1 mm )

### Electrical connection - socket

Connector: 1 x M8, angled; coding: A; Contacts: 3, gold-plated; Moulded body: TPU, black transparent; Locking: brass, nickel-plated; Sealing: FKM; Tightening torque: 0.3...0.5 Nm



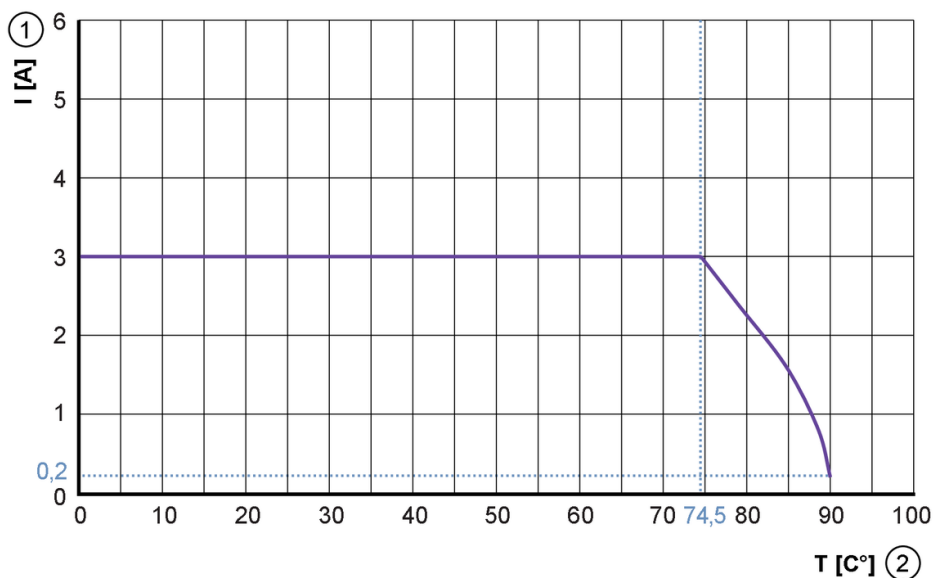
### Connection



Core colours :  
 BK = black  
 BN = brown  
 BU = blue

### Diagrams and graphs

characteristic line for derating



- 1 Current [A]
- 2 Ambient temperature [°C]