

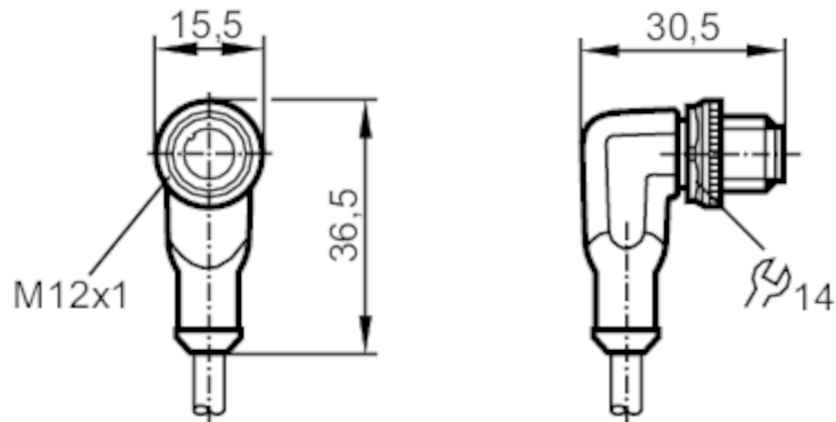
# EVC095



## Connecting cable with plug

ASTAH050MSS0002H05

Please see the technical note under "Downloads"



### Application

Special feature	Free from silicone; Halogen-free; Gold-plated contacts; Drag chain suitability
Free from silicone	yes

### Electrical data

Operating voltage [V]	< 60 AC/DC
Protection class	II
Max. current load total [A]	4
Overall current rating (UL) [A]	3

### Operating conditions

Ambient temperature [°C]	-25...90
Note on ambient temperature	cULus: ...75 °C
Ambient temperature (moving) [°C]	-25...90
Note on ambient temperature (moving)	cULus: ...75 °C
Storage temperature [°C]	-25...55
Storage humidity [%]	10...100
Other climatic conditions for storage according to stated class	1K22/ DIN 60721-3-1
Protection	IP 65; IP 67; IP 68; IP 69K

### Mechanical data

Weight [g]	90.6
------------	------

# EVC095



## Connecting cable with plug

ASTAH050MSS0002H05

Dimensions	[mm]	30.5 x 15.5 x 36.5	
Materials		housing: TPU orange	
Material nut		brass, nickel-plated	
Drag chain suitability		yes	
Drag chain suitability	bending radius for flexible use	min. 10 x cable diameter	
	travel speed	max. 3.3 m/s for a horizontal travel length of 5 m and max. acceleration of 5 m/s <sup>2</sup>	
	bending cycles	> 5 Mio.	
	torsional strain	± 180 °/m	

### Remarks

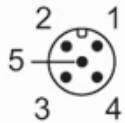
Notes	Please see the technical note under "Downloads"		
Pack quantity	1 pcs.		

### Electrical connection

Cable: 2 m, PUR, Halogen-free, black, Ø 4.6 mm; 5 x 0.34 mm<sup>2</sup> (42 x Ø 0.1 mm )

### Electrical connection - plug

Connector: 1 x M12, angled; coding: A; Locking: brass, nickel-plated; Contacts: gold-plated; Tightening torque: 0.6...1.5 Nm



### Connection

1	BN
2	WH
3	BU
4	BK
5	GY

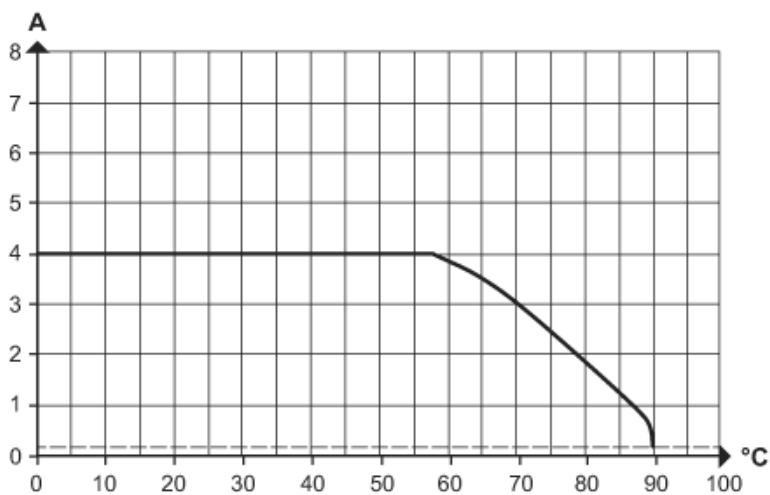
	Core colours :
BK =	black
BN =	brown
BU =	blue
GY =	grey
WH =	white



## Connecting cable with plug

ASTAH050MSS0002H05

### Diagrams and graphs



Derating  $I_{max} * 0.8$  DIN EN 60512-5-2

X Ambient temperature [°C]

Y Current [A]