

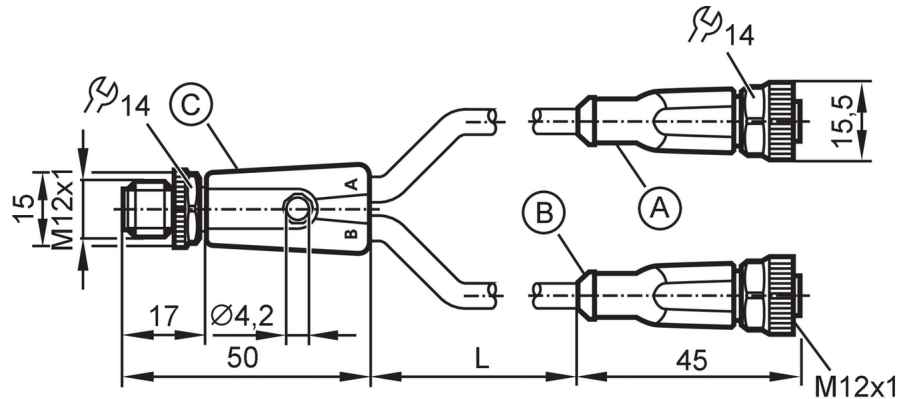
# EVC510



## Y connection cable

YDOGH040MSS00,3H04STGH040MSS

Please see the technical note under "Downloads"



Application	
Special feature	Free from silicone; Halogen-free; Gold-plated contacts; Drag chain suitability
Application	Industrial applications / factory automation; Use in machine tools, coolants and lubricants
Free from silicone	yes
Electrical data	
Operating voltage [V]	< 60 AC/DC
Protection class	II
Max. current load total [A]	4
Operating conditions	
Ambient temperature [°C]	-25...90
Note on ambient temperature	cULus: ...75 °C
Ambient temperature (moving) [°C]	-25...90
Note on ambient temperature (moving)	cULus: ...75 °C
Storage temperature [°C]	-25...55
Storage humidity [%]	10...100
Other climatic conditions for storage according to stated class	1K22/ DIN 60721-3-1
Protection	IP 65; IP 67; IP 68; IP 69K
Mechanical data	
Weight [g]	71.4
Moulded-body material	TPU
Material nut	brass, nickel-plated
Sealing material	FKM
Number of ports splitter box	2
Drag chain suitability	yes

# EVC510



## Y connection cable

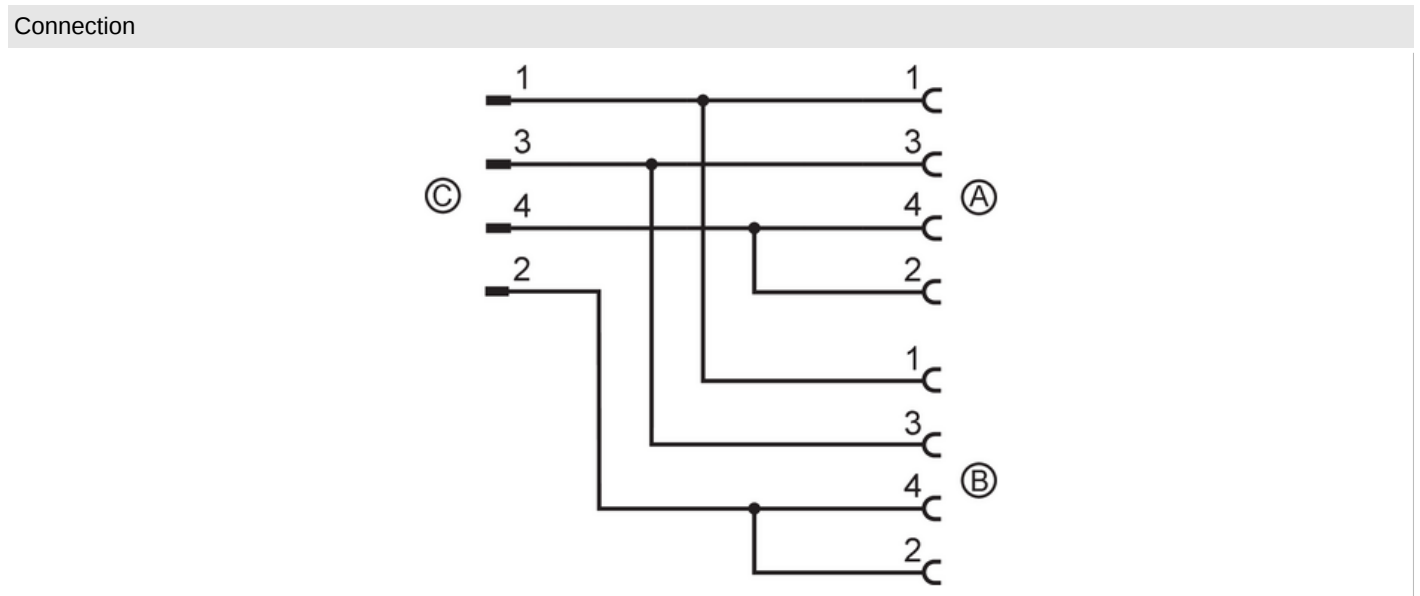
YDOGH040MSS00,3H04STGH040MSS

Drag chain suitability	bending radius for flexible use	min. 10 x cable diameter
	travel speed	max. 3.3 m/s for a horizontal travel length of 5 m and max. acceleration of 5 m/s <sup>2</sup>
	bending cycles	> 5 Mio.
	torsional strain	± 180 °/m

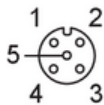
Remarks	
Notes	Please see the technical note under "Downloads"
Pack quantity	1 pcs.

**Electrical connection**  
Cable: 0.3 m, PUR, Halogen-free, black, Ø 4.3 mm; 4 x 0.34 mm<sup>2</sup> (42 x Ø 0.1 mm)

**Electrical connection - plug C**  
Connector: 1 x M12, straight; coding: A; Contacts: 4, gold-plated; Moulded body: TPU, orange; Locking: brass, nickel-plated; Tightening torque: 0.6...1.5 Nm



**Electrical connection - socket A/B**  
Connector: 2 x M12, straight; coding: A; Contacts: 4, gold-plated; Moulded body: TPU, orange; Locking: brass, nickel-plated; Sealing: FKM; Tightening torque: 0.6...1.5 Nm



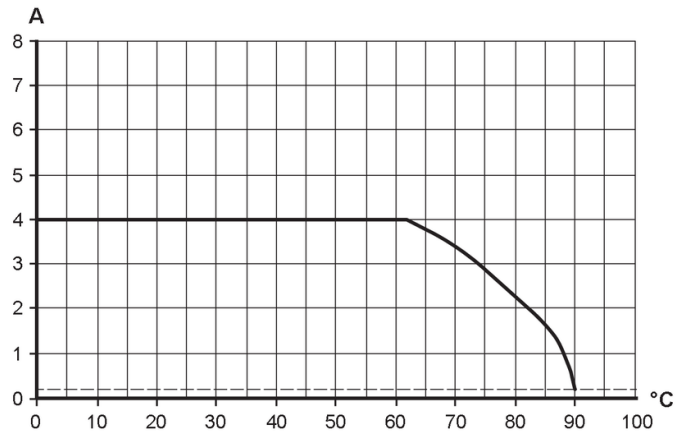
# EVC510



## Y connection cable

YDOGH040MSS00,3H04STGH040MSS

### Diagrams and graphs



Derating  $I_{max} * 0.8$  DIN EN 60512-5-2

X Ambient temperature [°C]

Y Current [A]