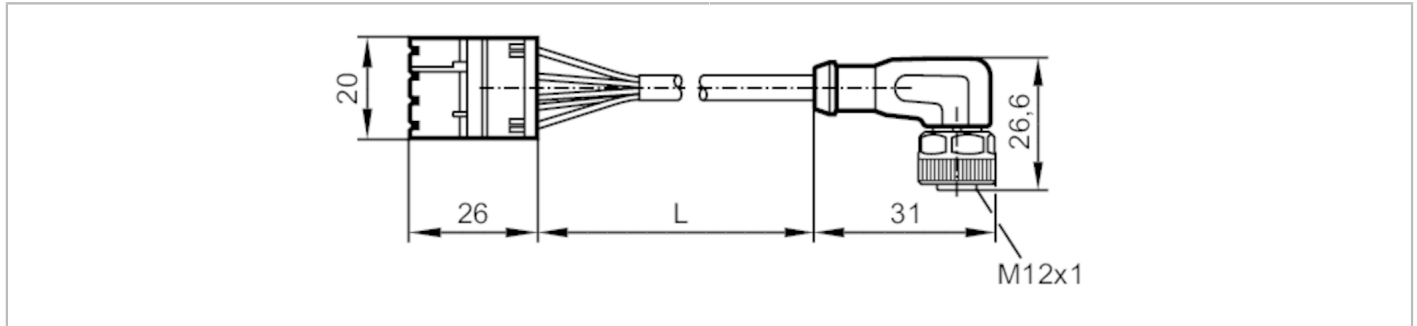


EC0458

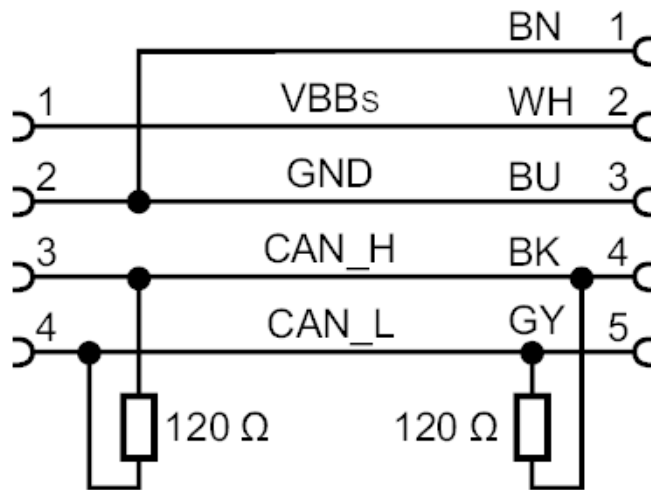


Prewired jumper with contact housing

R360/Cable/Display 10m



Application	
Design	wired, for BasicController and BasicDisplay, 1 x CR04xx, 1 x CR045x
Application	voltage supply; CAN bus
Operating conditions	
Ambient temperature	[°C] -40...85
Mechanical data	
Weight	[g] 364.5
Remarks	
Remarks	CAN bus terminating resistors (120 ohm) are integrated into the standard timer contact housing and the M12 connector
Pack quantity	1 pcs.
Electrical connection	
Cable: 10 m; 5 x 0.34 mm ²	
Connection	



Core colours :

- BK = black
- BN = brown
- BU = blue
- GY = grey
- WH = white

Connector: 1 x M12