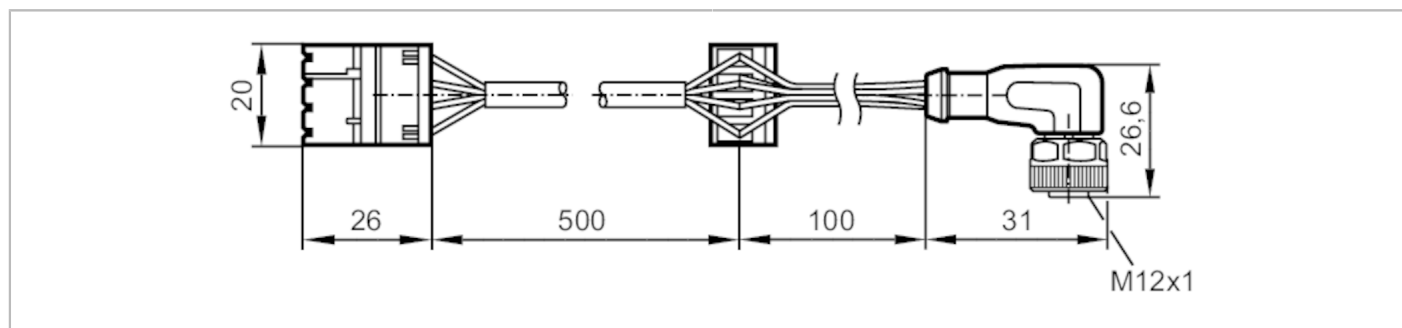


EC0453



Prewired jumper with contact housing

R360/Cable/DisplayModules A



Application	
Design	wired, for BasicController and BasicDisplay, 2 x CR04xx, 1 x CR045x
Application	voltage supply; CAN bus
Operating conditions	
Ambient temperature	[°C] -40...85
Mechanical data	
Weight	[g] 62.2
Remarks	
Remarks	CAN bus terminating resistor (120 ohms) is integrated in the standard timer contact housing use only sensible in conjunction with cover EC0402
Pack quantity	1 pcs.

EC0453



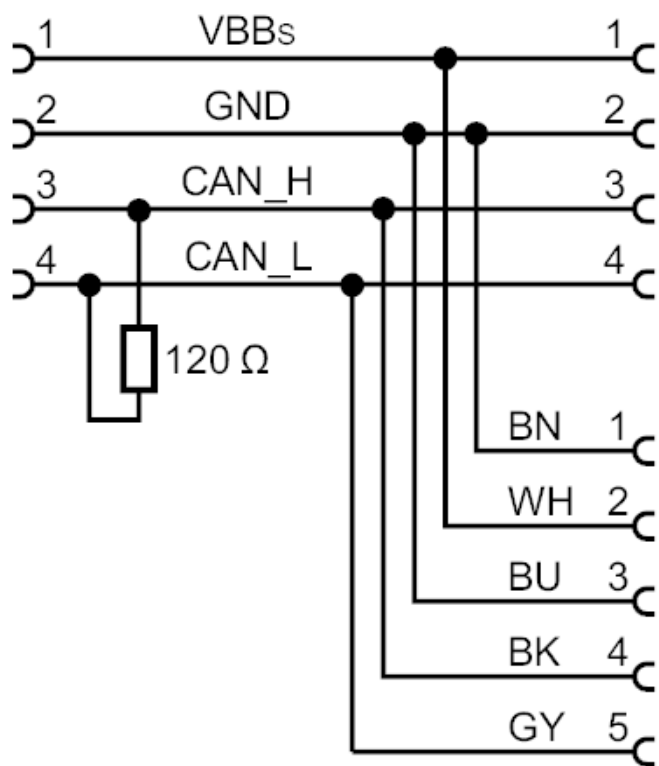
Prewired jumper with contact housing

R360/Cable/DisplayModules A

Electrical connection

Cable: 0.5 m, PVC, black; 4 x 0.5 mm² / AWG 20

Connection



Core colours :

- BK = black
- BN = brown
- BU = blue
- GY = grey
- WH = white