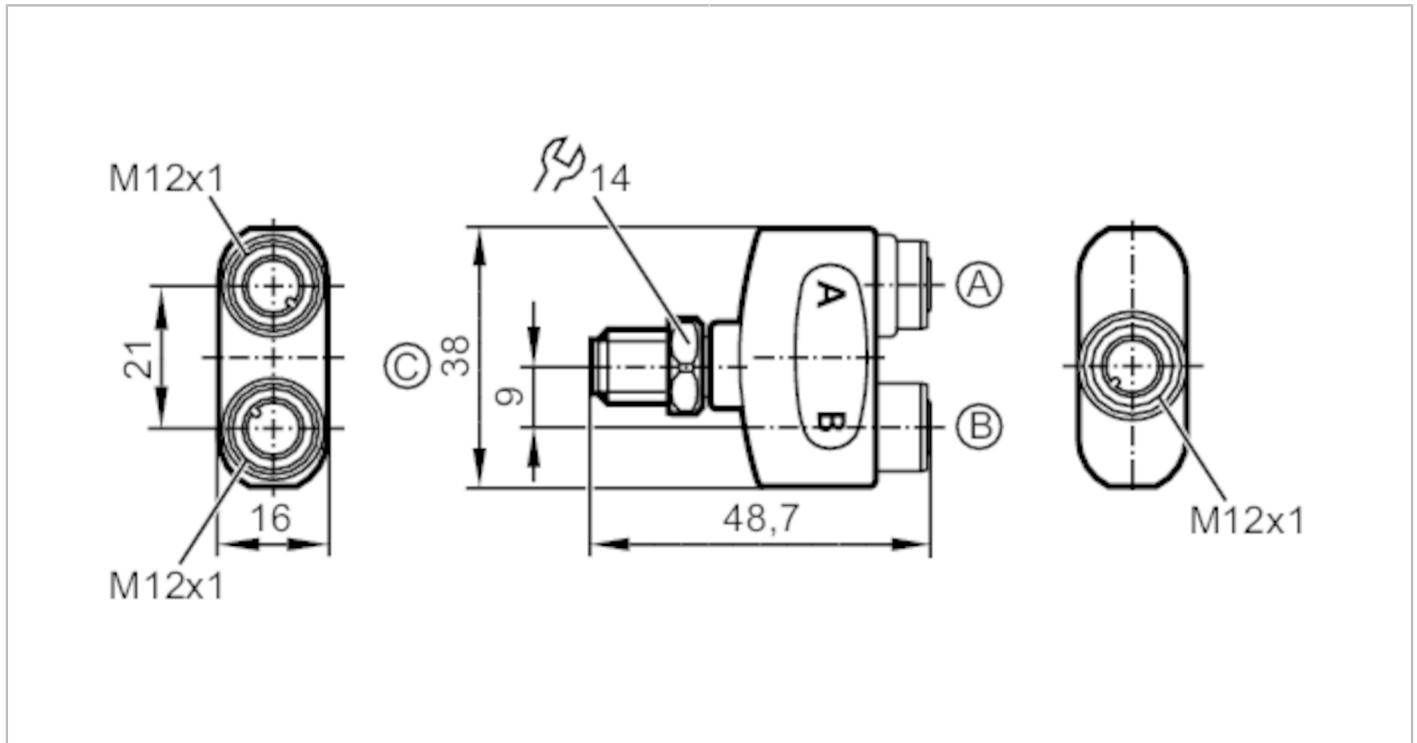


EBT009



Y-splitter

ZDO2H050VAS0000-00STGH050VAS



Application		
Special feature	Free from silicone; Gold-plated contacts	
Application	logic OR function	
Free from silicone	yes	
Electrical data		
Operating voltage [V]	< 60 AC/DC; (cULus: 30 AC / 42 DC)	
Protection class	II	
Max. current load per module/slot [A]	4	
Max. current load total [A]	4	
Overall current rating (UL) [A]	3	
Operating conditions		
Ambient temperature [°C]	-25...100	
Note on ambient temperature	cULus: ...65 °C	
Storage temperature [°C]	-25...55	
Storage humidity [%]	10...100	
Other climatic conditions for storage according to stated class	1K22/ DIN 60721-3-1	
Protection	IP 65; IP 67; IP 68; IP 69K	
Tests / approvals		
UL approval	voltage supply	Class 2
	File number UL	E191684

EBT009



Y-splitter

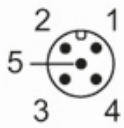
ZDO2H050VAS0000-00STGH050VAS

Mechanical data	
Weight [g]	35.7
Materials	housing: PA orange; Sealing: EPDM
Material nut	stainless steel (1.4404 / 316L)

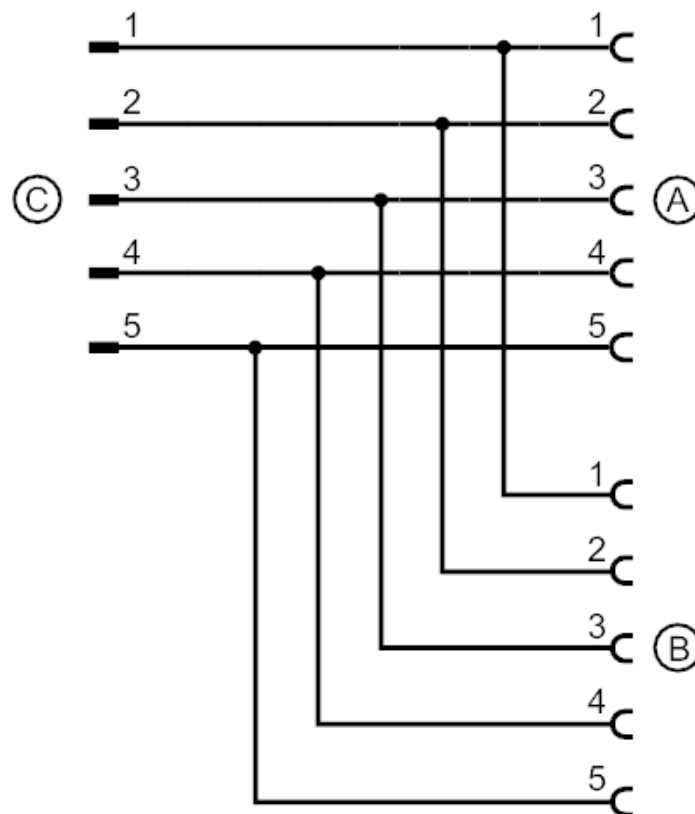
Remarks	
Pack quantity	1 pcs.

Electrical connection - plug

Connector: 1 x M12; Locking: stainless steel (1.4404 / 316L); Contacts: gold-plated; Tightening torque: 0.6...1.5 Nm



Connection



connection to IEC 61076-2-101

Electrical connection - socket

Connector: 2 x M12; Locking: stainless steel (1.4404 / 316L); Contacts: gold-plated; Tightening torque: 0.6...1.5 Nm

EBT009



Y-splitter

ZDO2H050VAS0000-00STGH050VAS

