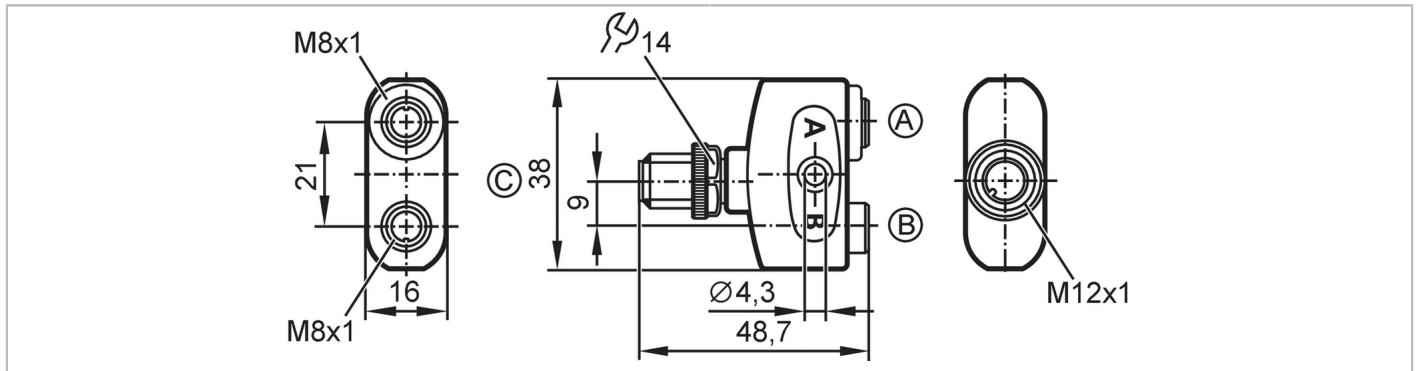


EBC112



Y-splitter

ZDO2F030MSS0000-00STGH040MSS



Application

| | |
|--------------------|--|
| Special feature | Free from silicone; Gold-plated contacts |
| Free from silicone | yes |

Electrical data

| | |
|-----------------------------|---|
| Operating voltage [V] | < 50 AC / < 60 DC; (cULus: 30 AC / 42 DC) |
| Protection class | III |
| Max. current load total [A] | 3 |

Operating conditions

| | |
|-----------------------------|-----------------------------|
| Ambient temperature [°C] | -25...90 |
| Note on ambient temperature | cULus: ...65 °C |
| Protection | IP 65; IP 67; IP 68; IP 69K |

Tests / approvals

| | | |
|-------------|----------------|---------|
| UL approval | power supply | Class 2 |
| | File number UL | E191684 |

Mechanical data

| | |
|------------------|----------------------|
| Weight [g] | 30.2 |
| Materials | housing: PA orange |
| Material nut | brass, nickel-plated |
| Sealing material | FKM |

Remarks

| | |
|---------------|--------|
| Pack quantity | 1 pcs. |
|---------------|--------|

Electrical connection - plug C

Connector: 1 x M12; coding: A; Contacts: 4, gold-plated; Locking: brass, nickel-plated; Tightening torque: 0.6...1.5 Nm

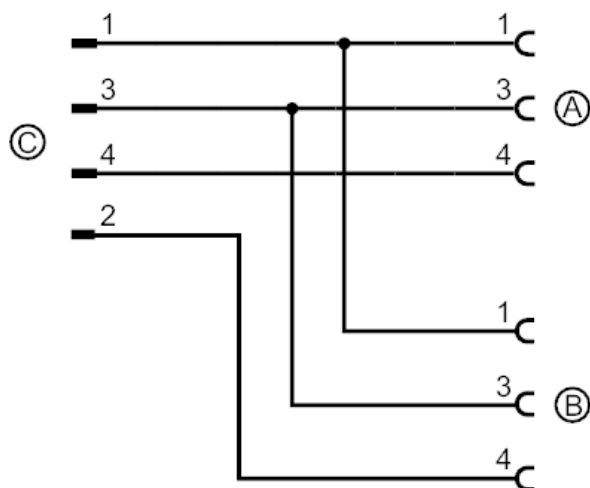




Y-splitter

ZDO2F030MSS0000-00STGH040MSS

Connection



Electrical connection - socket A/B

Connector: 2 x M8; coding: A; Contacts: 3, gold-plated; Locking: brass, nickel-plated; Sealing: FKM; Tightening torque: 0.3...0.5 Nm

