

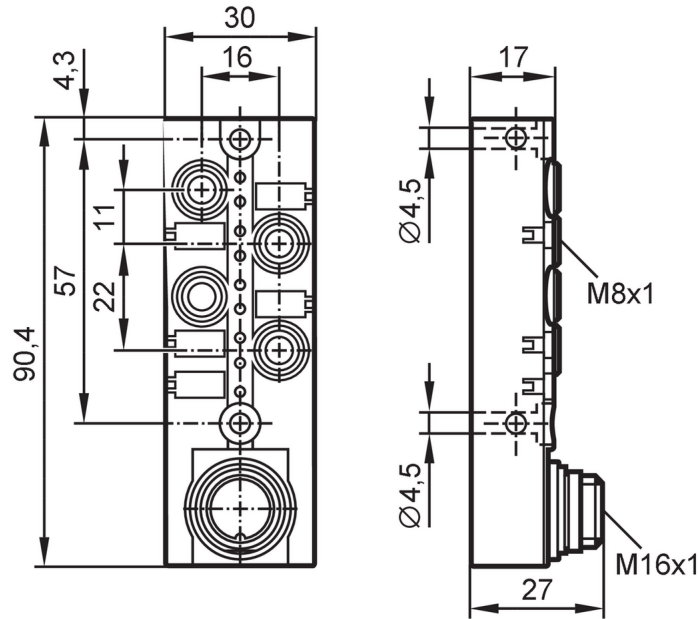
EBC053



Splitter box

ZDO4F049MSS0000---STGO120MSS

Article no longer available - archive entry



Application

Special feature	Gold-plated contacts
Application	Industrial applications / factory automation; Use in machine tools, coolants and lubricants

Electrical data

Operating voltage	[V]	10...30 DC; ("supply class 2" to cULus)
Protection class		III
Max. current load per module/slot	[A]	2
Max. current load total	[A]	6

Outputs

Electrical design	PNP
-------------------	-----

Operating conditions

Ambient temperature	[°C]	-25...80
Ambient temperature (moving)	[°C]	-5...60
Protection		IP 67; IP 68; (1 m / 7 days)

Mechanical data

Weight	[g]	109.5
Housing		rectangular
Type of mounting		backplane mounting
Dimensions	[mm]	90.4 x 30 x 27
Materials		PBT-GF20; brass nickel-plated
Moulded-body material		PBT-GF 20 / brass, nickel-plated
Number of ports splitter box		4

EBC053



Splitter box

ZDO4F049MSS0000---STGO120MSS

Connector type	M8
----------------	----

Displays / operating elements

Display	switching status	8 x LED, yellow
	operation	1 x LED, green

Accessories

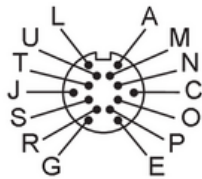
Accessories (optional)	DIN rail adapter:, E73006
	Protective cap: M8, E73005

Remarks

Pack quantity	1 pcs.
---------------	--------

Electrical connection - Connection

Connector: 1 x M16; Contacts: 14, gold-plated; Moulded body: PBT-GF 20 / brass, nickel-plated

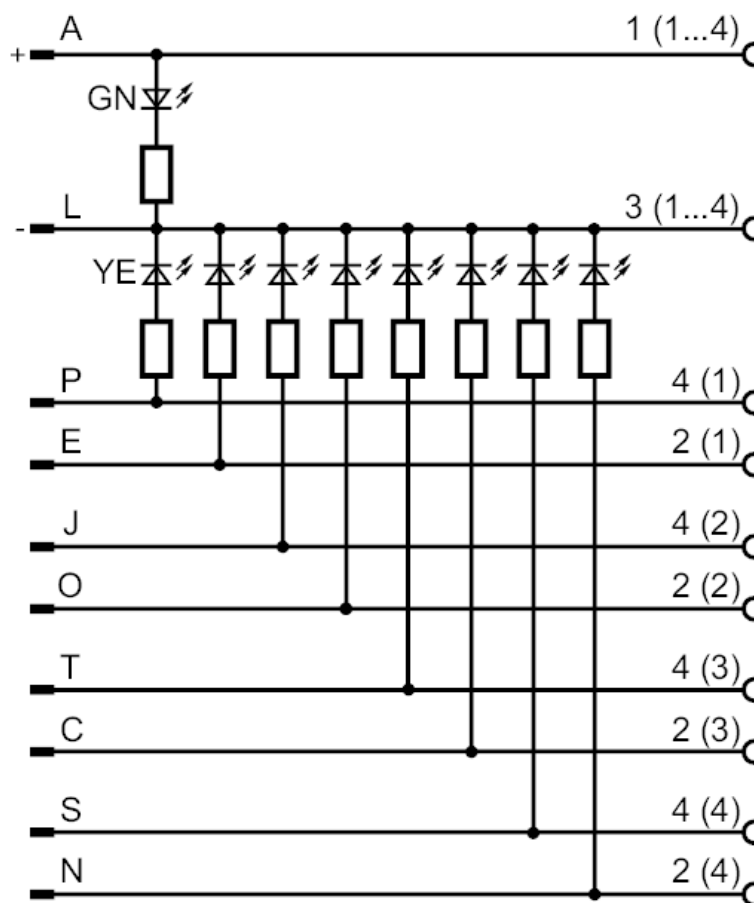




Splitter box

ZDO4F049MSS0000---STGO120MSS

Connection



Electrical connection - slot

Connector: 4 x M8; coding: A; Contacts: 4, gold-plated; Moulded body: PBT-GF 20 / brass, nickel-plated

