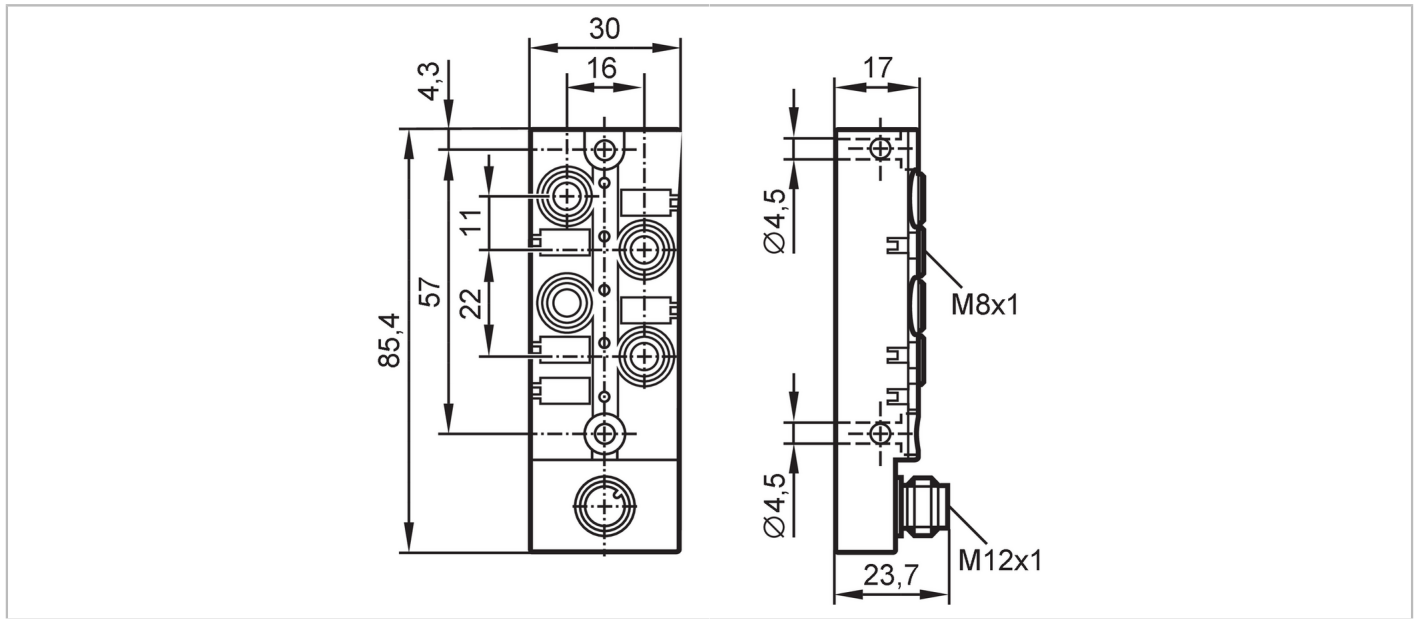


# EBC050



## Splitter box

ZDO4F035MSS0000---STGH080MSS



Application	
Special feature	Gold-plated contacts
Application	Industrial applications / factory automation; Use in machine tools, coolants and lubricants
Electrical data	
Operating voltage [V]	10...30 DC; ("supply class 2" to cULus)
Protection class	III
Max. current load per module/slot [A]	2
Max. current load total [A]	2
Outputs	
Electrical design	PNP
Operating conditions	
Ambient temperature [°C]	-25...80
Ambient temperature (moving) [°C]	-5...60
Protection	IP 65; IP 67; IP 68; (1 m / 7 days)
Mechanical data	
Weight [g]	88.5
Housing	rectangular
Type of mounting	backplane mounting
Dimensions [mm]	85.4 x 30 x 23.7
Materials	housing: PBT-GF20
Material nut	brass, nickel-plated
Number of ports splitter box	4
Connector type	M8

# EBC050



## Splitter box

ZDO4F035MSS0000---STGH080MSS

### Displays / operating elements

Display	switching status	4 x LED, yellow
	operation	1 x LED, green

### Accessories

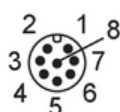
Accessories (optional)	DIN rail adapter: E73006
	Protective cap: M8, E73005

### Remarks

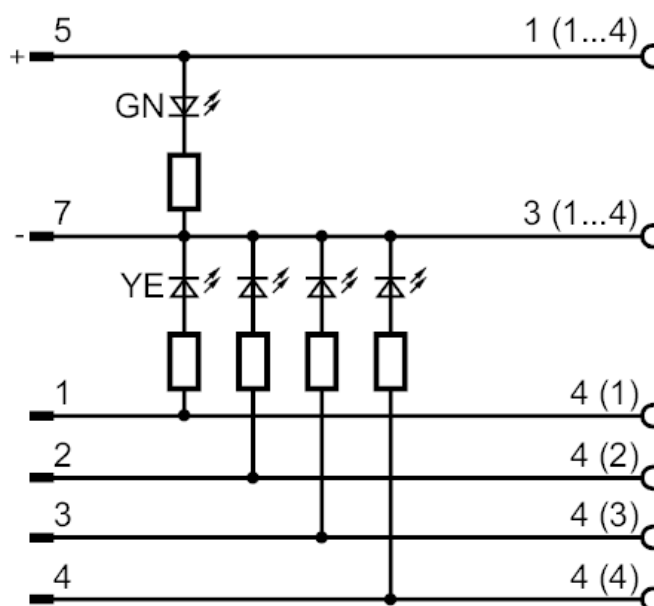
Pack quantity	1 pcs.
---------------	--------

### Electrical connection - Connection

Connector: 1 x M12; coding: A; Contacts: 8, gold-plated; Locking: brass, nickel-plated



### Connection



### Electrical connection - slot

Connector: 4 x M8; coding: A; Contacts: 3, gold-plated; Locking: brass, nickel-plated

