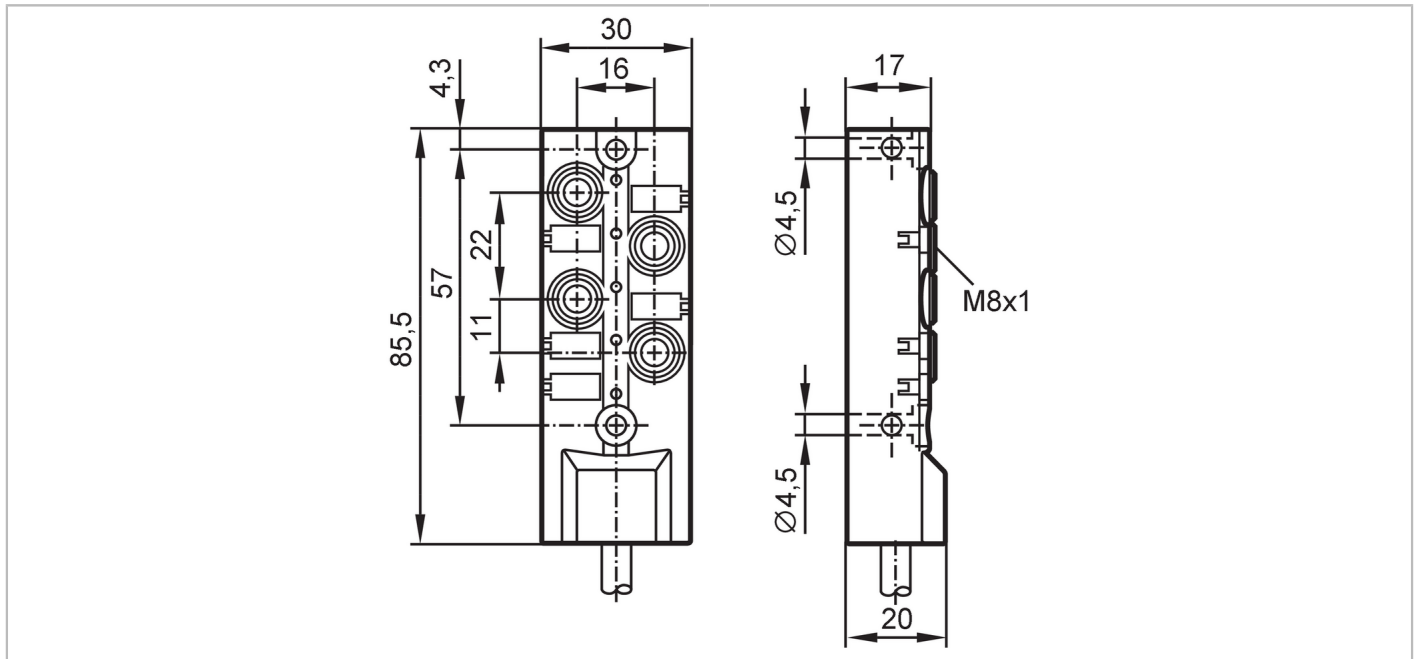


EBC048



Splitter box

ZDO4F035MSS0005H10



Application	
Special feature	Halogen-free; Gold-plated contacts; Drag chain suitability
Application	Industrial applications / factory automation; Use in machine tools, coolants and lubricants
Electrical data	
Operating voltage [V]	10...30 DC; ("supply class 2" to cULus)
Protection class	III
Max. current load per module/slot [A]	2
Max. current load total [A]	6
Outputs	
Electrical design	PNP
Operating conditions	
Ambient temperature [°C]	-25...80
Ambient temperature (moving) [°C]	-5...60
Protection	IP 65; IP 67; IP 68
Mechanical data	
Weight [g]	367
Housing	rectangular
Type of mounting	backplane mounting
Dimensions [mm]	85.5 x 30 x 20
Materials	housing: PBT-GF20
Material nut	brass, nickel-plated
Number of ports splitter box	4
Connector type	M8
Drag chain suitability	yes

EBC048



Splitter box

ZDO4F035MSS0005H10

Drag chain suitability	bending radius for flexible use	min. 10 x cable diameter
	travel speed	max. 3.3 m/s for a horizontal travel length of 5 m and max. acceleration of 5 m/s ²
	bending cycles	> 5 Mio.
	torsional strain	± 180 °/m

Displays / operating elements

Display	switching status	4 x LED, yellow
	operation	1 x LED, green

Accessories

Accessories (optional)	Protective cap: M8, E73005
	DIN rail adapter:, E73006

Remarks

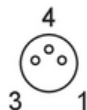
Pack quantity	1 pcs.
---------------	--------

Electrical connection

Cable: 5 m, PUR, Halogen-free, black, Ø 6.4 mm; 4 x 0.34 mm² (43 x Ø 0.1 mm) + 2 x 0.75 mm² (21 x Ø 0.2 mm)

Electrical connection - slot

Connector: 4 x M8; coding: A; Contacts: 3, gold-plated; Locking: brass, nickel-plated



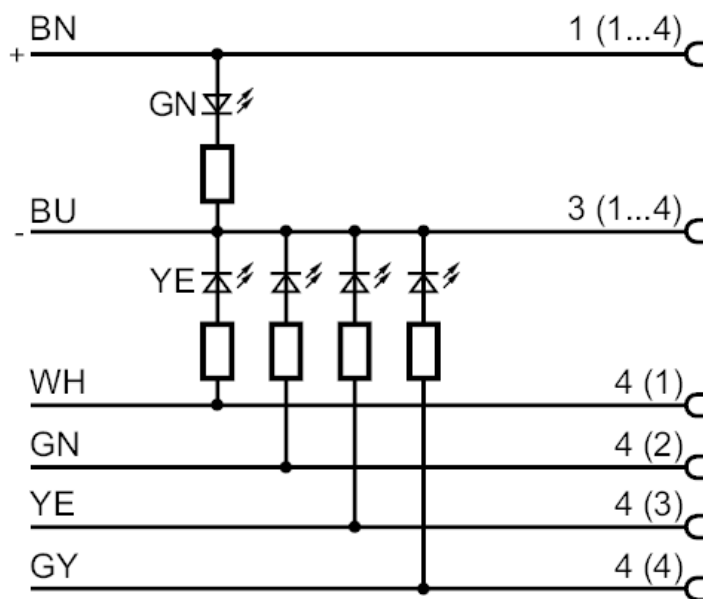
EBC048



Splitter box

ZDO4F035MSS0005H10

Connection



	Core colours :
BN =	brown
BU =	blue
GN =	green
GY =	grey
WH =	white
YE =	yellow