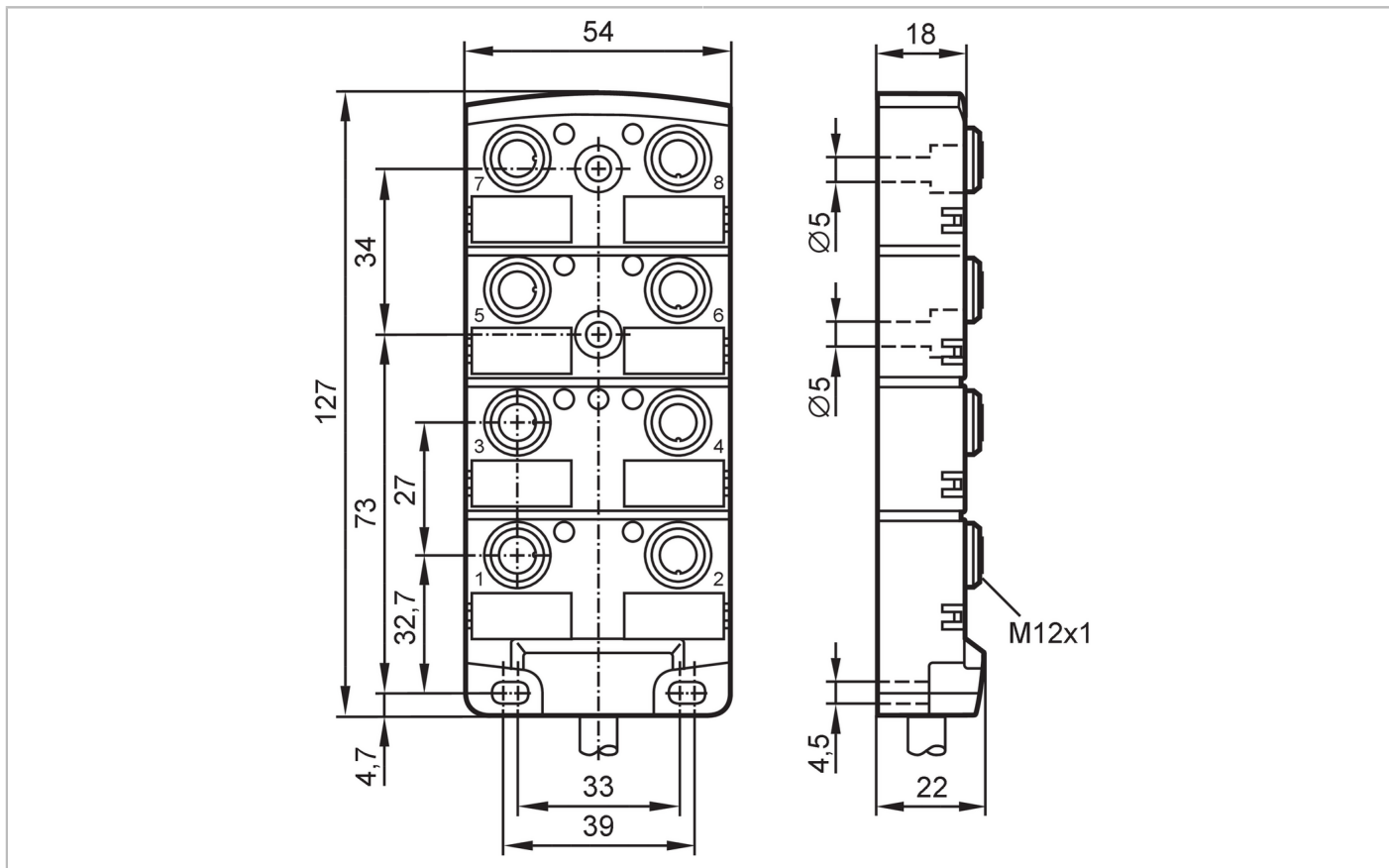


EBC035



Splitter box

ZDO8H059MSS0010H11



Application	
Special feature	Free from silicone; Halogen-free; Gold-plated contacts; Drag chain suitability
Application	Industrial applications / factory automation; Use in machine tools, coolants and lubricants
Free from silicone	yes
Electrical data	
Operating voltage [V]	10...30 DC; ("supply class 2" to cULus)
Protection class	II
Max. current load per module/slot [A]	4
Max. current load total [A]	12
Outputs	
Electrical design	PNP
Operating conditions	
Ambient temperature [°C]	-25...80
Ambient temperature (moving) [°C]	-5...60
Protection	IP 67; IP 68
Mechanical data	
Weight [g]	1174.5
Housing	rectangular
Type of mounting	backplane mounting

EBC035



Splitter box

ZDO8H059MSS0010H11

Dimensions	[mm]	127 x 54 x 22
Materials		housing: PA
Material nut		brass, nickel-plated
Number of ports splitter box		8
Connector type		M12
Drag chain suitability		yes
Drag chain suitability	bending radius for flexible use	min. 10 x cable diameter
	bending radius for fixed installation	min. 5 x cable diameter
	travel speed	max. 3 m/s at 5 m horizontal travel length and max. acceleration of 5 m/s ²
	torsional strain	± 30 °/m
	bending cycles	> 2 Mio.

Displays / operating elements

Display	switching status	8 x LED, yellow
	operation	1 x LED, green

Accessories

Items supplied	Protective caps: 2
	labels: 8

Remarks

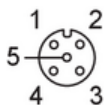
Pack quantity	1 pcs.
---------------	--------

Electrical connection

Cable: 10 m, PUR, Halogen-free, black, Ø 8.2 mm; 8 x 0.34 mm² (43 x Ø 0.1 mm) + 3 x 0.75 mm² (95 x Ø 0.1 mm)

Electrical connection - slot

Connector: 8 x M12; coding: A; Contacts: 4, gold-plated; Locking: brass, nickel-plated; Tightening torque: 0.8...1.5 Nm

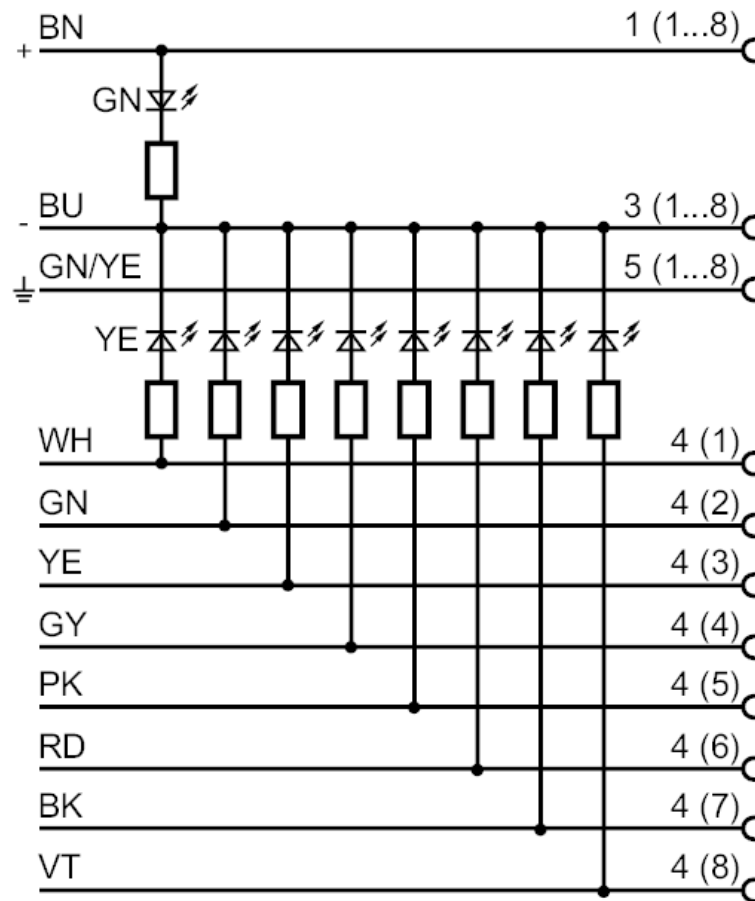




Splitter box

ZDO8H059MSS0010H11

Connection



	Core colours :
BK =	black
BN =	brown
BU =	blue
GN =	green
GN/YE =	green/yellow
GY =	grey
PK =	pink
RD =	red
VT =	lilac
WH =	white
YE =	yellow