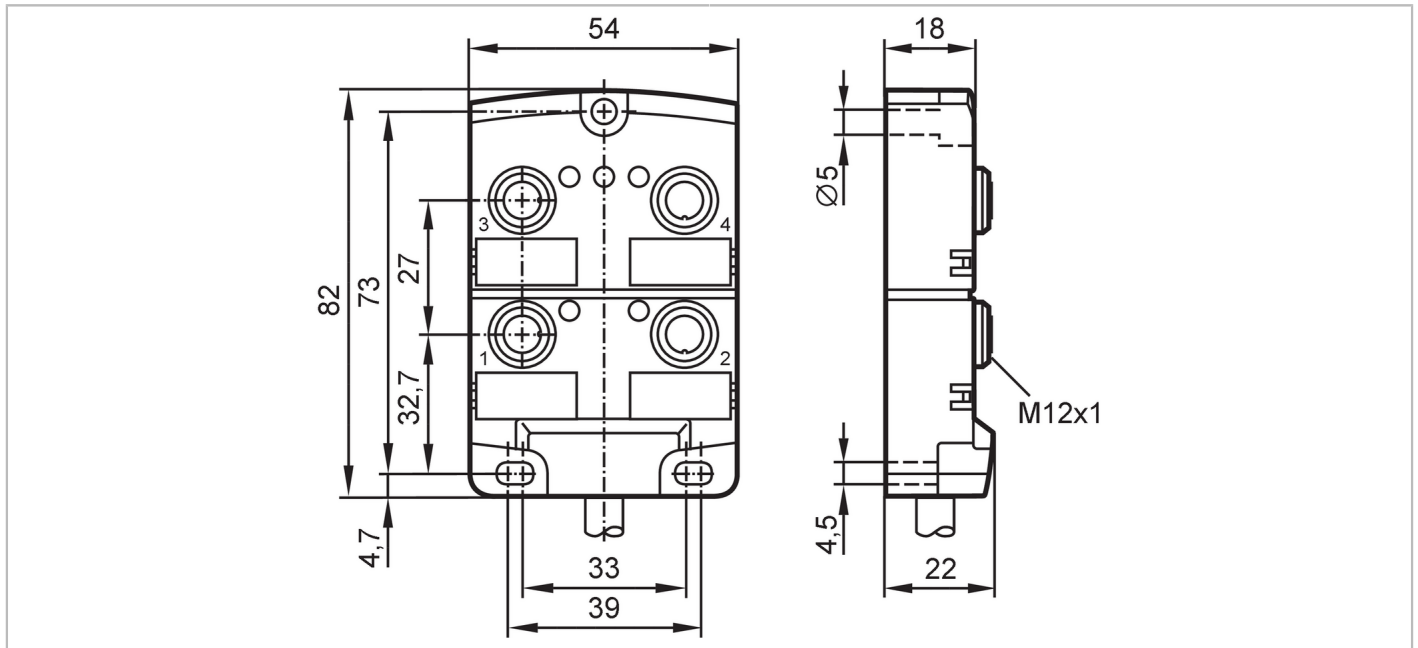


EBC027



Splitter box

ZDO4H055MSS0010H07



Application	
Special feature	Free from silicone; Halogen-free; Gold-plated contacts; Drag chain suitability
Application	Industrial applications / factory automation; Use in machine tools, coolants and lubricants
Free from silicone	yes
Electrical data	
Operating voltage [V]	10...30 DC; ("supply class 2" to cULus)
Protection class	II
Max. current load per module/slot [A]	4
Max. current load total [A]	12
Outputs	
Electrical design	PNP
Operating conditions	
Ambient temperature [°C]	-25...80
Ambient temperature (moving) [°C]	-5...60
Protection	IP 67; IP 68
Mechanical data	
Weight [g]	970
Housing	rectangular
Type of mounting	backplane mounting
Dimensions [mm]	82 x 54 x 22
Materials	housing: PA
Material nut	brass, nickel-plated
Number of ports splitter box	4
Connector type	M12

EBC027



Splitter box

ZDO4H055MSS0010H07

Drag chain suitability	yes	
Drag chain suitability	bending radius for flexible use	min. 10 x cable diameter
	bending cycles	> 2 Mio.

Displays / operating elements

Display	switching status	4 x LED, yellow
	operation	1 x LED, green

Accessories

Items supplied	Protective caps: 2
	labels: 4

Remarks

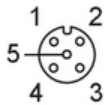
Pack quantity	1 pcs.
---------------	--------

Electrical connection

Cable: 10 m, PUR, Halogen-free, black, Ø 7.5 mm; 4 x 0.34 mm² (43 x Ø 0.1 mm) + 3 x 1 mm² (55 x Ø 0.15 mm)

Electrical connection - slot

Connector: 4 x M12; coding: A; Contacts: 4, gold-plated; Locking: brass, nickel-plated; Tightening torque: 0.8...1.5 Nm

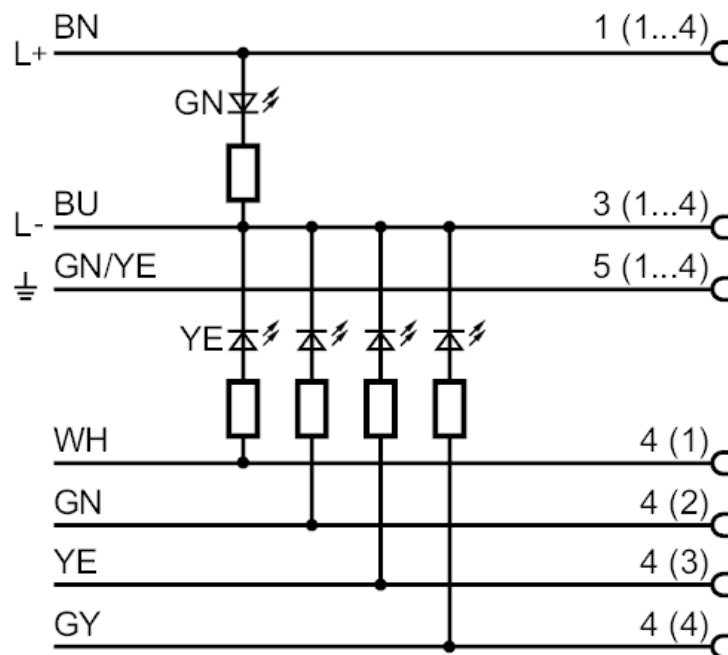




Splitter box

ZDO4H055MSS0010H07

Connection



	Core colours :
BN =	brown
BU =	blue
GN =	green
GN/YE =	green/yellow
GY =	grey
WH =	white
YE =	yellow