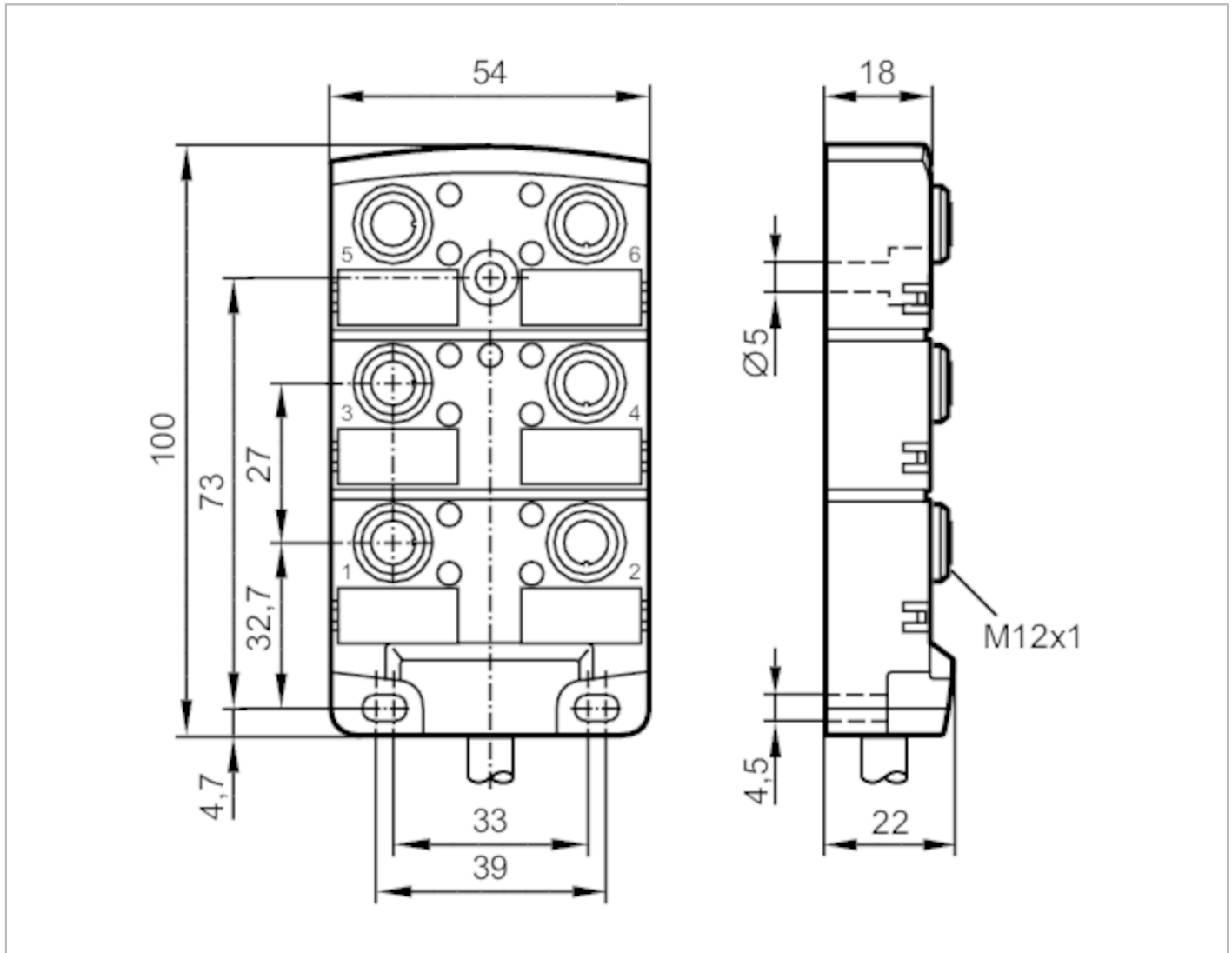


EBC020



Splitter box

ZDO6H05DMSS0005H15



Application	
Special feature	Free from silicone; Halogen-free; Gold-plated contacts; Drag chain suitability
Free from silicone	yes
Electrical data	
Operating voltage [V]	10...30 DC; ("supply class 2" to cULus)
Protection class	II
Max. current load per module/slot [A]	4
Max. current load total [A]	12
Outputs	
Electrical design	PNP

EBC020



Splitter box

ZDO6H05DMSS0005H15

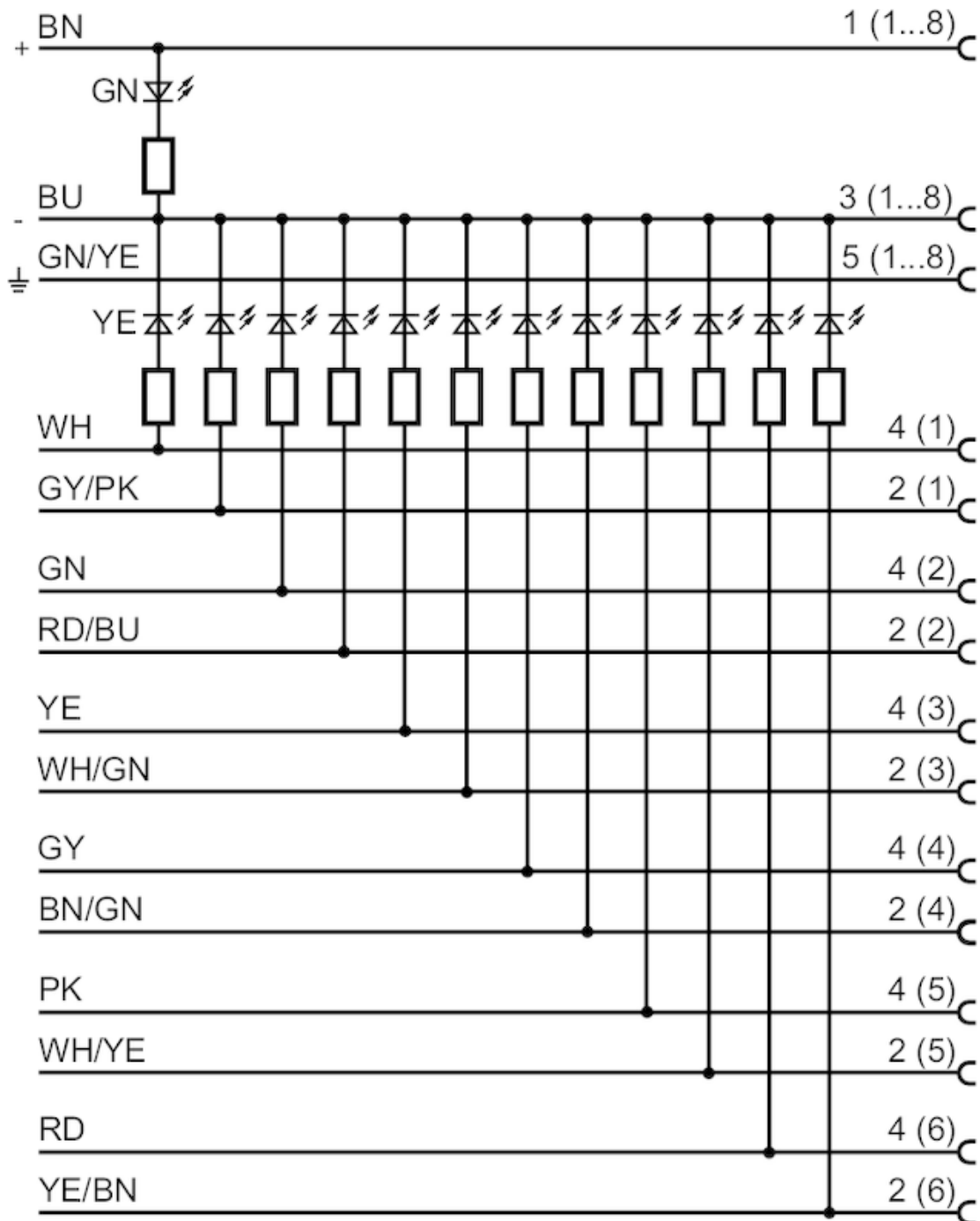
Operating conditions		
Ambient temperature	[°C]	-25...80
Ambient temperature (moving)	[°C]	-5...60
Protection		IP 67; IP 68
Tests / approvals		
UL approval	Enclosure type	Type 1
Mechanical data		
Weight	[g]	766.5
Dimensions	[mm]	22 x 54 x 100
Materials		PA
Moulded-body material		PA
Number of ports splitter box		6
Connector type		M12
Drag chain suitability		yes
Drag chain suitability	bending radius for flexible use	min. 10 x cable diameter
	bending cycles	> 2 Mio.
Displays / operating elements		
Display	switching status	12 x LED, yellow
	operation	1 x LED, green
Accessories		
Items supplied	Protective caps:	2
	labels:	6
Remarks		
Pack quantity		1 pcs.
Electrical connection		
Cable: 5 m, PUR, Halogen-free, black, Ø 8.8 mm; 12 x 0.34 mm ² (63 x Ø 0.1 mm) + 3 x 1.0 mm ² (127 x Ø 0.1 mm)		
Electrical connection - slot		
Connector: 6 x M12; Moulded body: PA; Contacts: gold-plated; Tightening torque: 0.8...1.5 Nm		



Splitter box

ZDO6H05DMSS0005H15

Connection



Core colours :

BN = brown

BU = blue

GN = green

EBC020

Splitter box

ZDO6H05DMSS0005H15

