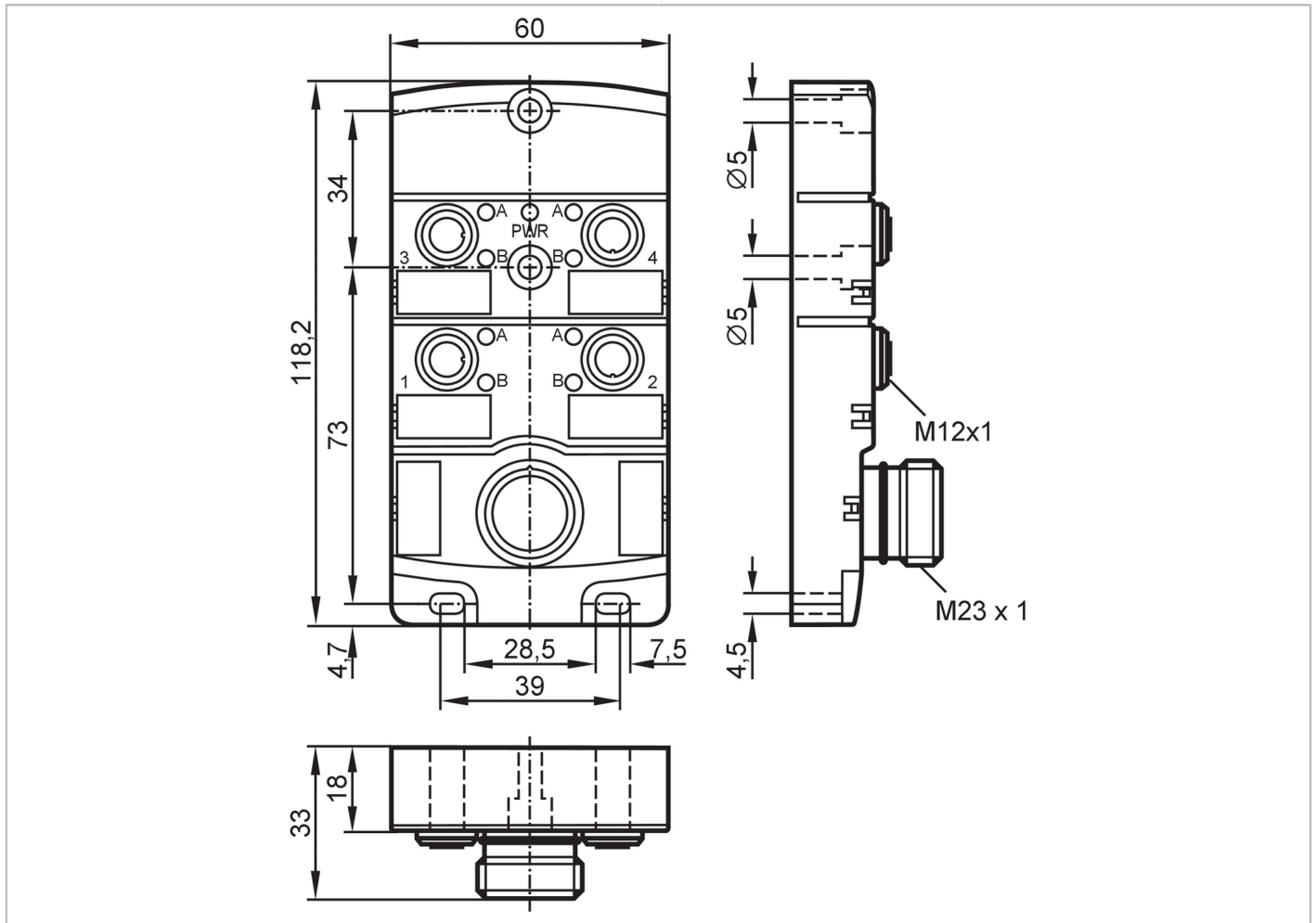


# EBC004



## Splitter box

ZDO4H059MSS0000-00STAK190MSS



Application		
Special feature		Free from silicone; Gold-plated contacts
Application		Industrial applications / factory automation; Use in machine tools, coolants and lubricants
Free from silicone		yes
Electrical data		
Operating voltage	[V]	10...30 DC; ("supply class 2" to cULus)
Max. current load per module/slot	[A]	4
Max. current load total	[A]	10
Outputs		
Electrical design		PNP
Operating conditions		
Ambient temperature	[°C]	-25...80
Protection		IP 67
Tests / approvals		
UL approval	Enclosure type	Type 1

# EBC004



## Splitter box

ZDO4H059MSS0000-00STAK190MSS

Mechanical data	
Weight [g]	226
Housing	rectangular
Type of mounting	backplane mounting
Dimensions [mm]	118.2 x 60 x 33
Materials	housing: PA
Number of ports splitter box	4
Connector type	M12

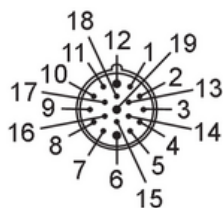
Displays / operating elements		
Display	switching status	8 x LED, yellow
	operation	1 x LED, green

Accessories	
Items supplied	Protective caps: 2 labels: 4

Remarks	
Pack quantity	1 pcs.

### Electrical connection - Connection

Connector: 1 x M23; Contacts: 19, gold-plated; Tightening torque: 0.8...1.5 Nm

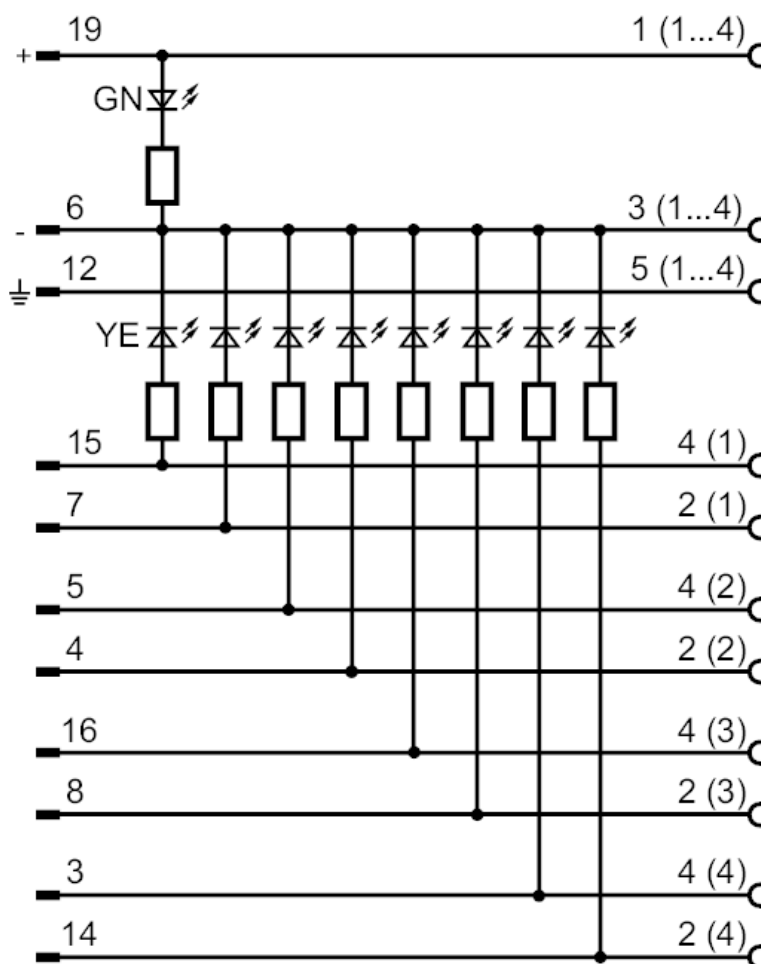




## Splitter box

ZDO4H059MSS0000-00STAK190MSS

### Connection



### Electrical connection - slot

Connector: 4 x M12; coding: A; Contacts: 5, gold-plated; Tightening torque: 0.8...1.5 Nm

