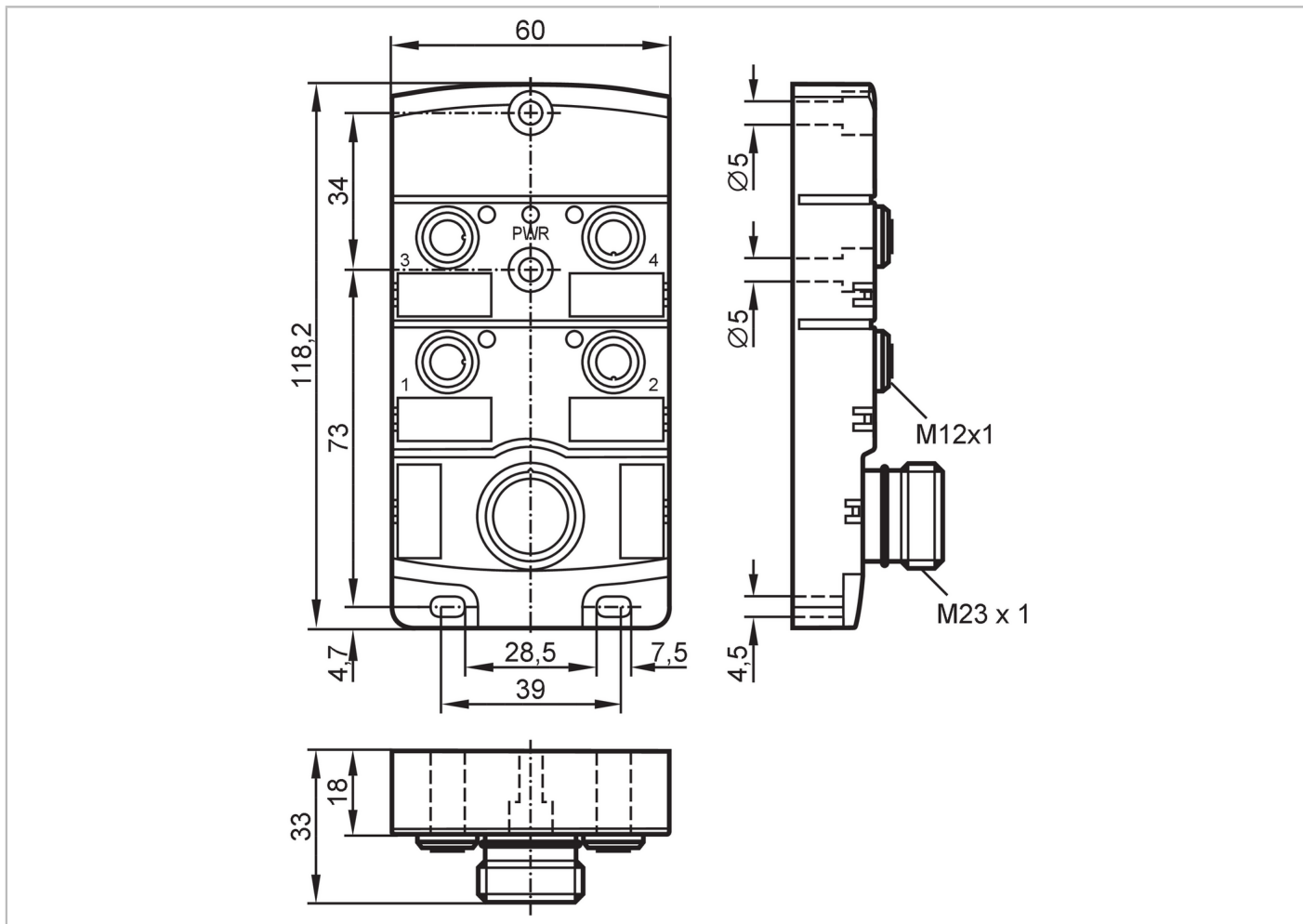


EBC002



Splitter box

ZDO4H055MSS0000-00STAK120MSS



Application	
Special feature	Free from silicone; Gold-plated contacts
Application	Industrial applications / factory automation; Use in machine tools, coolants and lubricants
Free from silicone	yes
Electrical data	
Operating voltage [V]	10...30 DC; ("supply class 2" to cULus)
Max. current load per module/slot [A]	4
Max. current load total [A]	10
Outputs	
Electrical design	PNP
Operating conditions	
Ambient temperature [°C]	-25...80
Protection	IP 67
Tests / approvals	
UL approval	Enclosure type Type 1



Splitter box

ZDO4H055MSS0000-00STAK120MSS

Mechanical data		
Weight	[g]	224.5
Housing		rectangular
Type of mounting		backplane mounting
Dimensions	[mm]	118.2 x 60 x 33
Materials		housing: PA
Number of ports splitter box		4
Connector type		M12

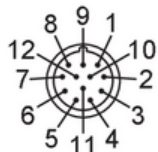
Displays / operating elements		
Display	switching status	4 x LED, yellow
	operation	1 x LED, green

Accessories	
Items supplied	Protective caps: 2 labels: 4

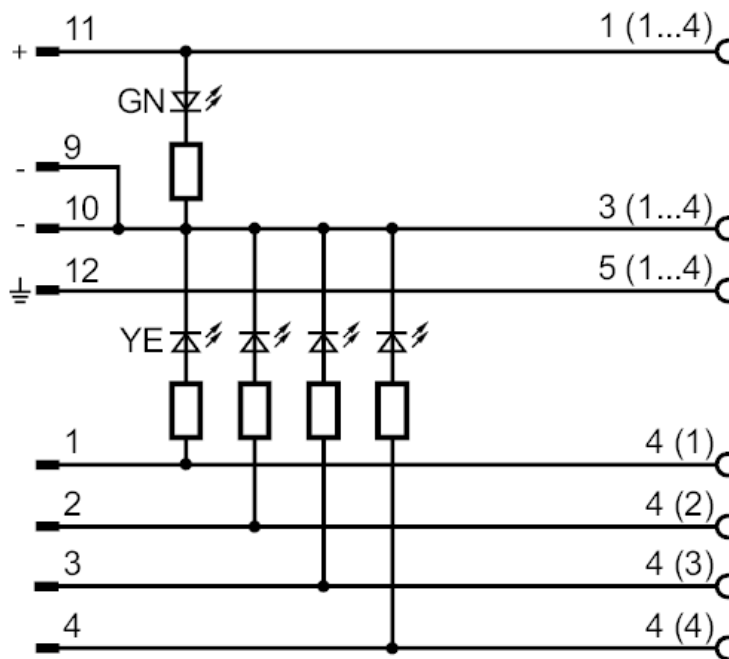
Remarks	
Pack quantity	1 pcs.

Electrical connection - Connection

Connector: 1 x M23; Contacts: 12, gold-plated; Tightening torque: 0.8...1.5 Nm



Connection



EBC002



Splitter box

ZDO4H055MSS0000-00STAK120MSS

Electrical connection - slot

Connector: 4 x M12; coding: A; Contacts: 4, gold-plated; Tightening torque: 0.8...1.5 Nm

