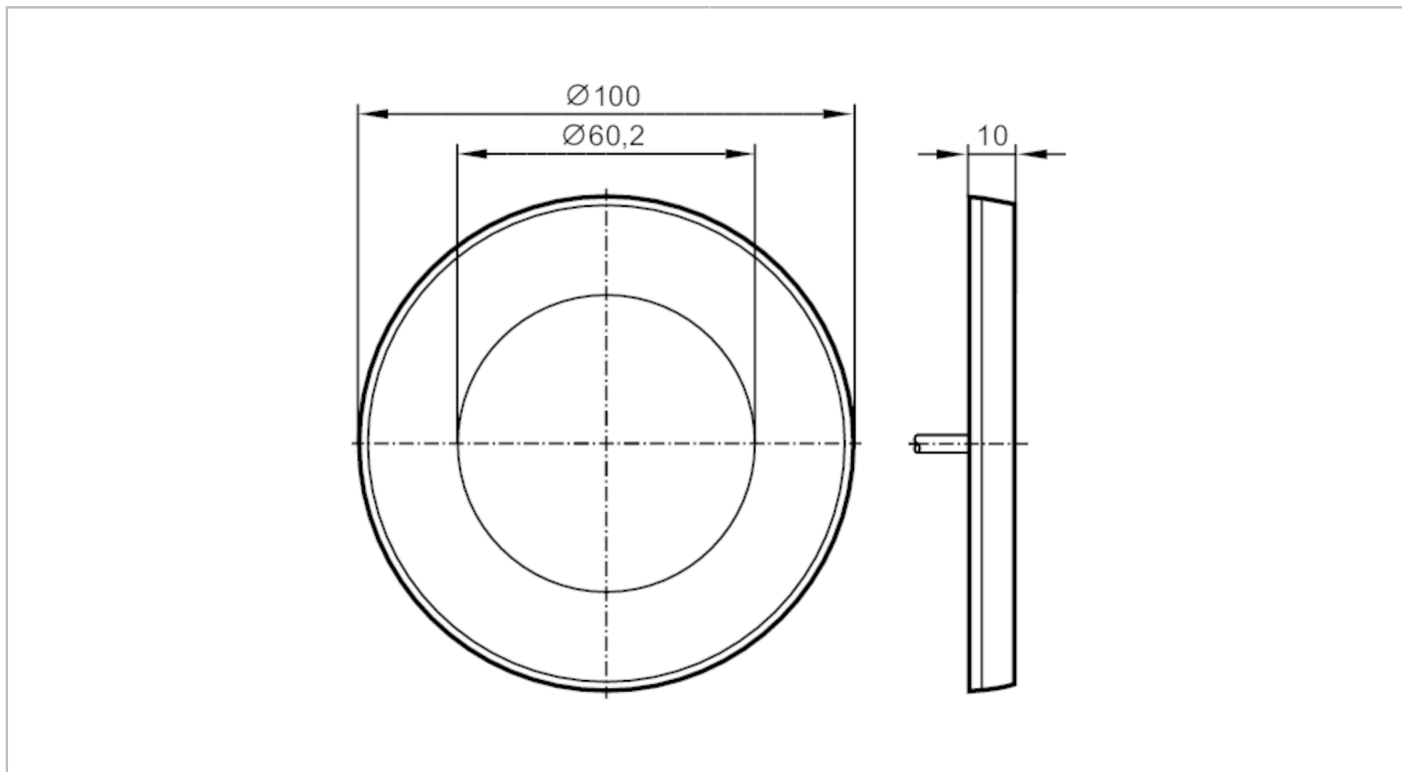


E80374



Coloured surround for touch sensors

RED COVER RING FOR KT



Application	
Design	for types KT50
Mechanical data	
Weight [g]	24.32
Dimensions [mm]	100 x 10 x 100
Materials	polycarbonate-ABS red
Remarks	
Pack quantity	2 pcs.