

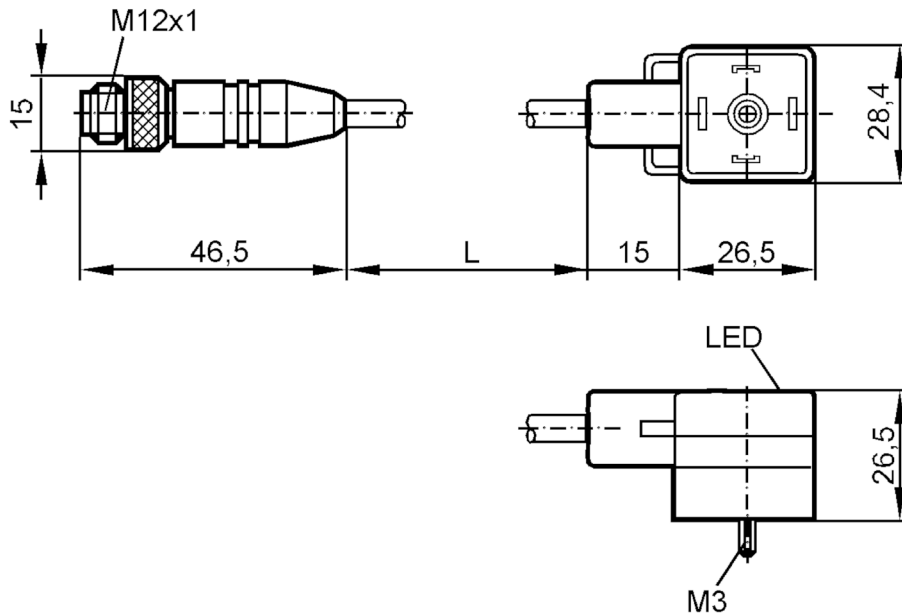
# E70079



## Jumper cable with valve plug

VVDAA041--S0002A03STGH030MSS

Article no longer available - archive entry



### Electrical data

Operating voltage	[V]	< 24 AC/DC
Overvoltage protection		yes; (VDR)

### Operating conditions

Ambient temperature	[°C]	-25...90
Protection		IP 67

### Mechanical data

Dimensions	[mm]	15 x 15 x 46,5
Materials		TPU
Material nut		brass, nickel-plated / brass, nickel-plated

### Displays / operating elements

Display	operation	1 x LED, yellow
---------	-----------	-----------------

### Accessories

Accessories (supplied)		screw panel for labelling
------------------------	--	------------------------------

### Remarks

Pack quantity		1 pcs.
---------------	--	--------

### Electrical connection - plug

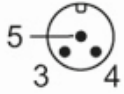
Connector: 1 x M12, straight; Moulded body: TPU; Locking: brass, nickel-plated

# E70079



## Jumper cable with valve plug

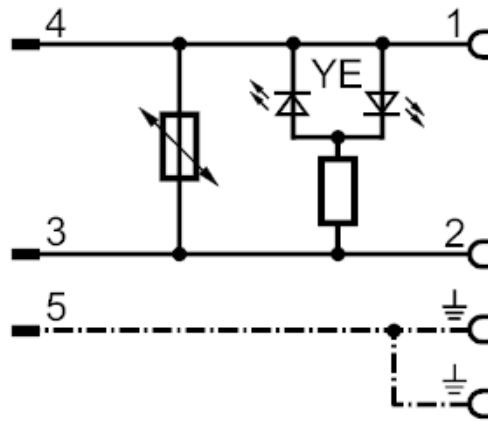
VVDAA041--S0002A03STGH030MSS



### Electrical connection

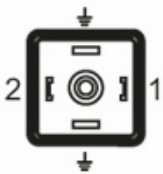
Cable: 2 m, PUR / PVC; 3 x 0.5 mm<sup>2</sup>

### Connection



### Electrical connection - socket

Connector: 1 x valve type A DIN, angled; Moulded body: TPU; Locking: brass, nickel-plated



Article no longer available - archive entry