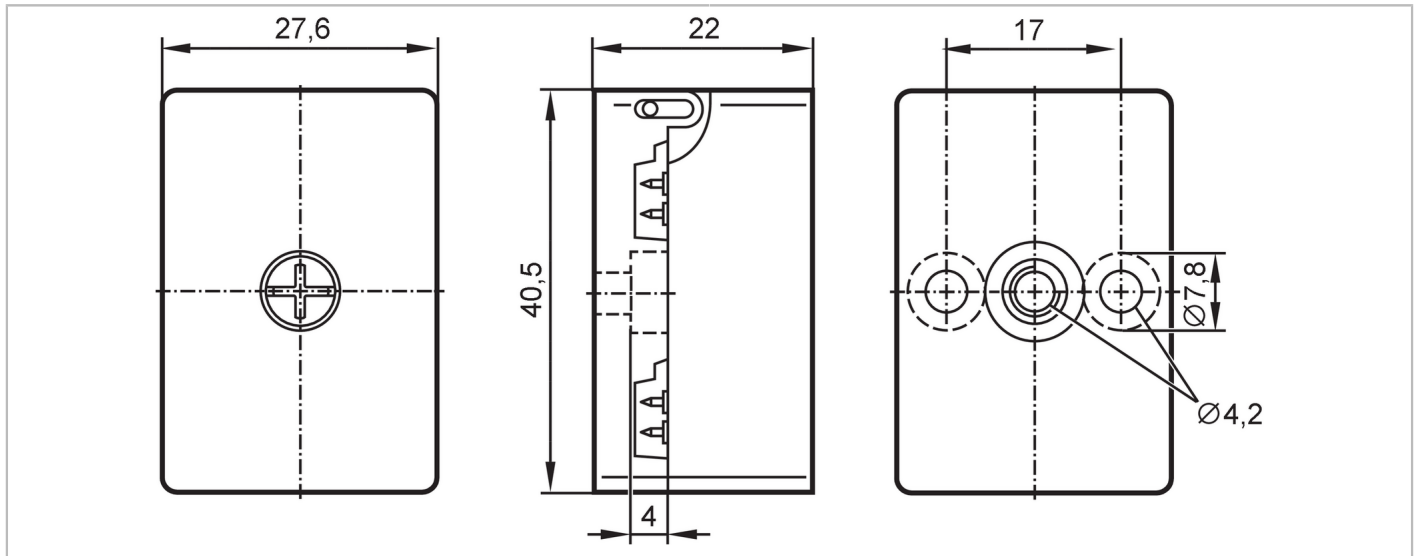


E70581



AS-Interface flat cable splitter

FC Splitter AS-i UL



Electrical data	
Protection class	III
Max. current load total [A]	8
Outputs	
Electrical design	AS-i
Operating conditions	
Ambient temperature [°C]	-25...75
Storage temperature [°C]	-25...85
Protection	IP 67
Mechanical data	
Weight [g]	49.6
Materials	housing: PBT; screw: stainless steel (303/1.4305); contact pins: gold-plated
Tightening torque [Nm]	1.65; (Mounting screw)
Accessories	
Accessories (optional)	flat cable end seal., E70413 heat-shrink cap., E70113
Remarks	
Remarks	The flat cable must not end in the splitter. Use a flat cable seal or heat-shrink cap for sealing.
Pack quantity	1 pcs.