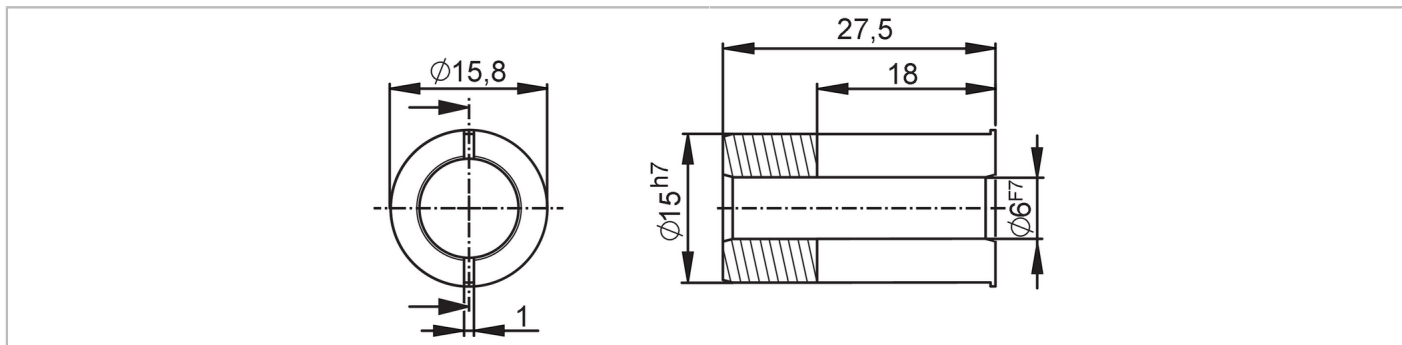


E60213



Reducing bush

REDUCING SLEEVE FOR RO3 ROP15-6MM



| Application | |
|------------------------|------------------------------|
| Design | for hollow shaft encoders |
| Mechanical data | |
| Weight [g] | 32.3 |
| Inside diameter [mm] | 6 |
| External diameter [mm] | 15 |
| Materials | stainless steel (303/1.4305) |
| Length [mm] | 27.5 |
| Remarks | |
| Pack quantity | 1 pcs. |