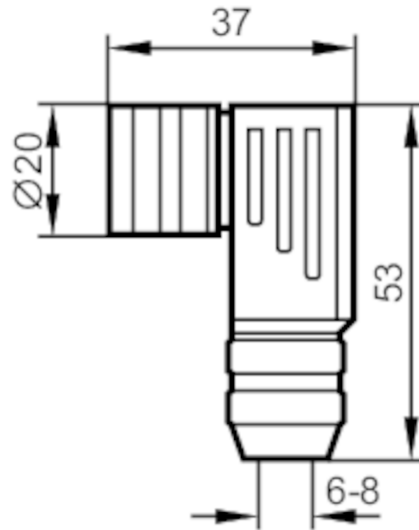


E60175



Wirable socket

SDOAJ120MSLFBPG



Electrical data

Operating voltage [V] 4.5...30 DC

Operating conditions

Ambient temperature [°C] -40...85

Protection IP 67

Mechanical data

Weight [g] 69.4

Dimensions [mm] 37 x 20 x 53

Materials brass nickel-plated

Moulded-body material brass, nickel-plated

Material nut brass, nickel-plated

Remarks

Pack quantity 1 pcs.

Electrical connection

soldering: ...0.25 mm²; Cable sheath: Ø 6...8 mm

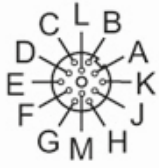
Electrical connection - socket

Connector: 1 x M18, angled; Moulded body: brass, nickel-plated; Locking: brass, nickel-plated

E60175

Wirable socket

SDOAJ120MSLFBPG



Connection

