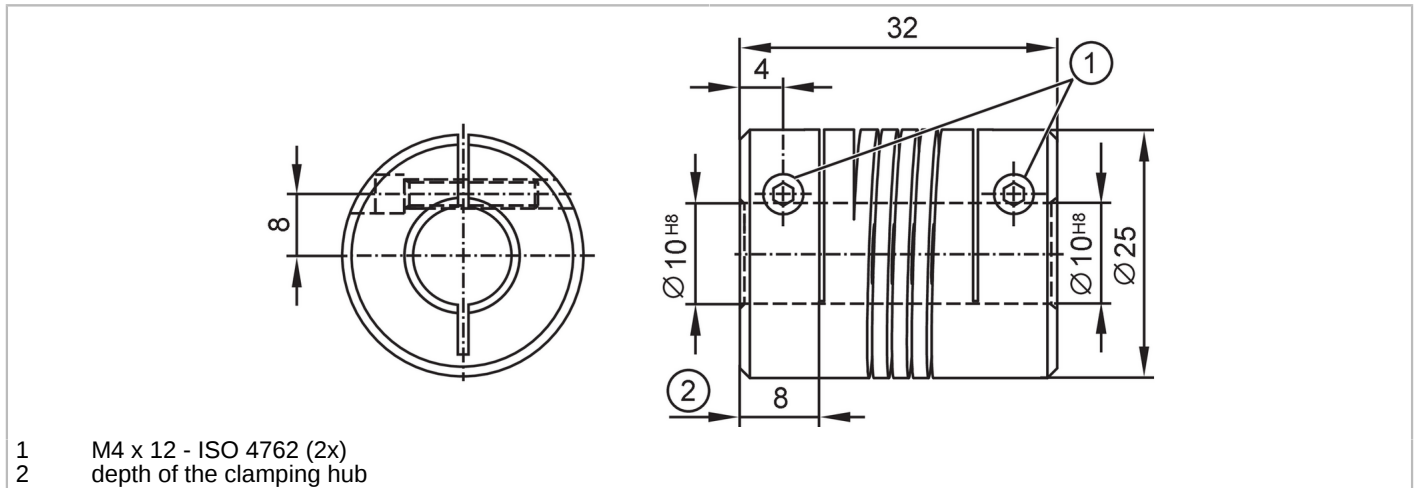


E60067



Flexible coupling for encoders

COUPLING 25-10-10-32-KV



Mechanical data	
Weight	[g] 32.9
Dimensions	[mm] Ø 25 / L = 32
Materials	aluminium
Tightening torque	[Nm] tightening torque screws: 120 Ncm
Outer diameter D	[mm] 25
Inner diameter 1	[mm] 10
Inner diameter 2	[mm] 10
Depth of the clamping hub	[mm] 8
Clamping screw	[mm] M4 x 12 - ISO 4762 (2x)
Length	[mm] 32
Max. revolution, mechanical	[U/min] 6000
Max. axial shaft misalignment	[mm] ± 0,5
Max. radial shaft misalignment	[mm] ± 0,35
Max. angular displacement	[°] ± 4,0

Remarks	
Remarks	The data indicated apply to couplings with the above hub borings at an ambient temperature of 23 °C. The values of radial, angular and axial displacement are maximum values which must not reach their maximum simultaneously while in operation.
Pack quantity	1 pcs.