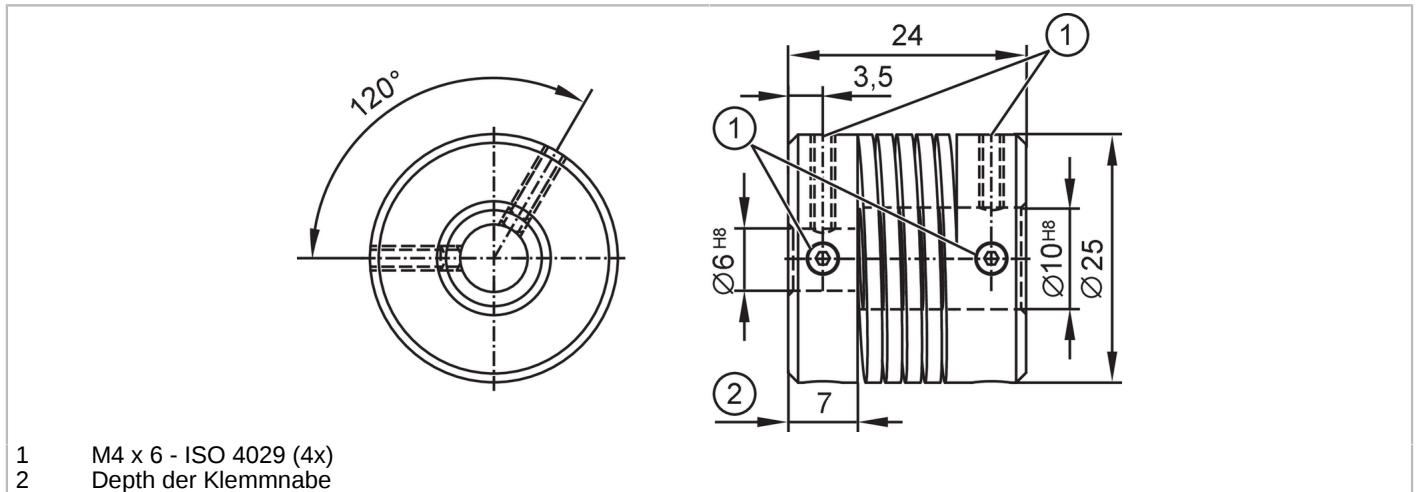


E60028



Flexible coupling for encoders

COUPLING 25-6-10-24-SV



Mechanical data	
Weight	[g] 27
Dimensions	[mm] Ø 25 / L = 24
Materials	aluminium
Tightening torque	[Nm] tightening torque screws: 120 Ncm
Outer diameter D	[mm] 25
Inner diameter 1	[mm] 6
Inner diameter 2	[mm] 10
Depth of the clamping hub	[mm] 7
Clamping screw	[mm] M4 x 6 - ISO 4029 (4x)
Length	[mm] 24
Max. revolution, mechanical	[U/min] 8000
Max. axial shaft misalignment	[mm] ± 0,5
Max. radial shaft misalignment	[mm] ± 0,3
Max. angular displacement	[°] ± 4,0
Remarks	
Remarks	The data indicated apply to couplings with the above hub borings at an ambient temperature of 23 °C. The values of radial, angular and axial displacement are maximum values which must not reach their maximum simultaneously while in operation.
Pack quantity	1 pcs.