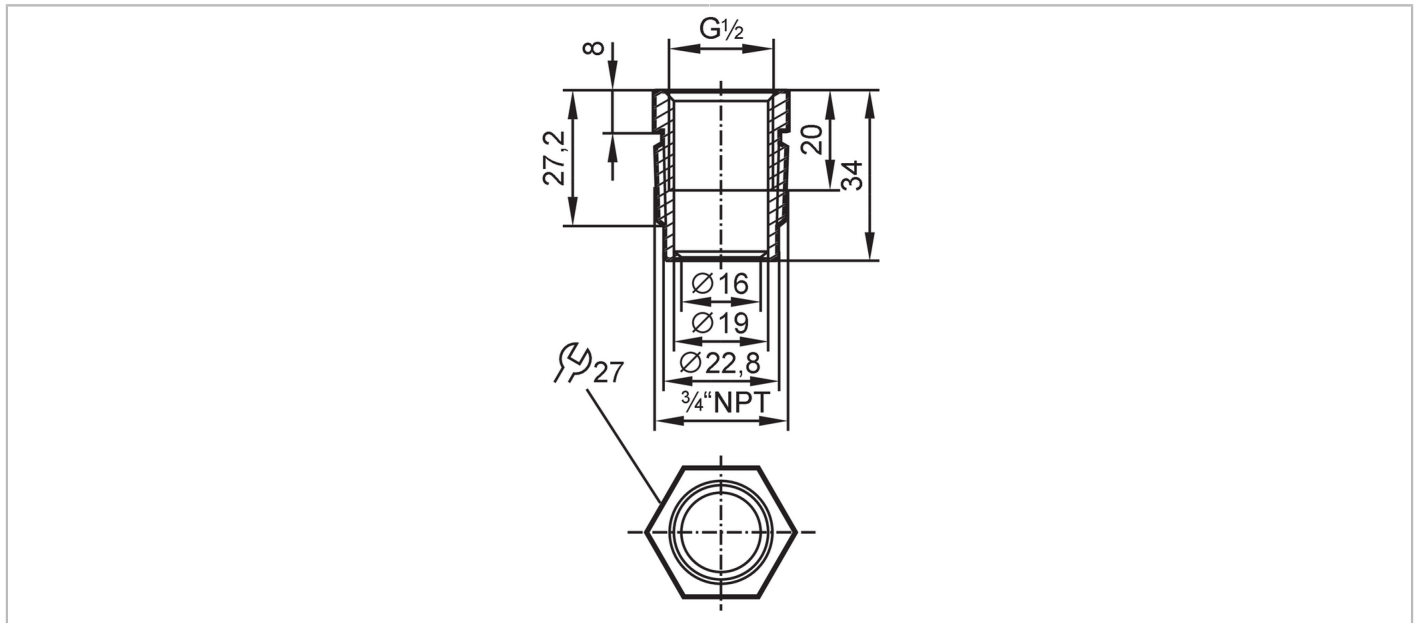


E43313



Screw-in adapter for process sensors

ADAPT G1/2-G3/4-14 NPT



EC 1935/2004 FCM

Tests / approvals	
Pressure Equipment Directive	A possible classification to PED depends on the application and has to be carried out by the user / operator.
Safety instructions	The compatibility between medium and product material has to be checked in all applications.
Mechanical data	
Weight [g]	113.5
Materials	screw-in adapter: stainless steel (316L/1.4435) surface characteristics: Ra < 0,4 µm / Rz 4 µm
Sensor connection	G 1/2 sealing cone
Process connection	threaded connection 3/4" NPT
Surface characteristics Ra/Rz of the wetted parts	Ra < 0.4 µm / Rz = 4 µm
Remarks	
Pack quantity	1 pcs.