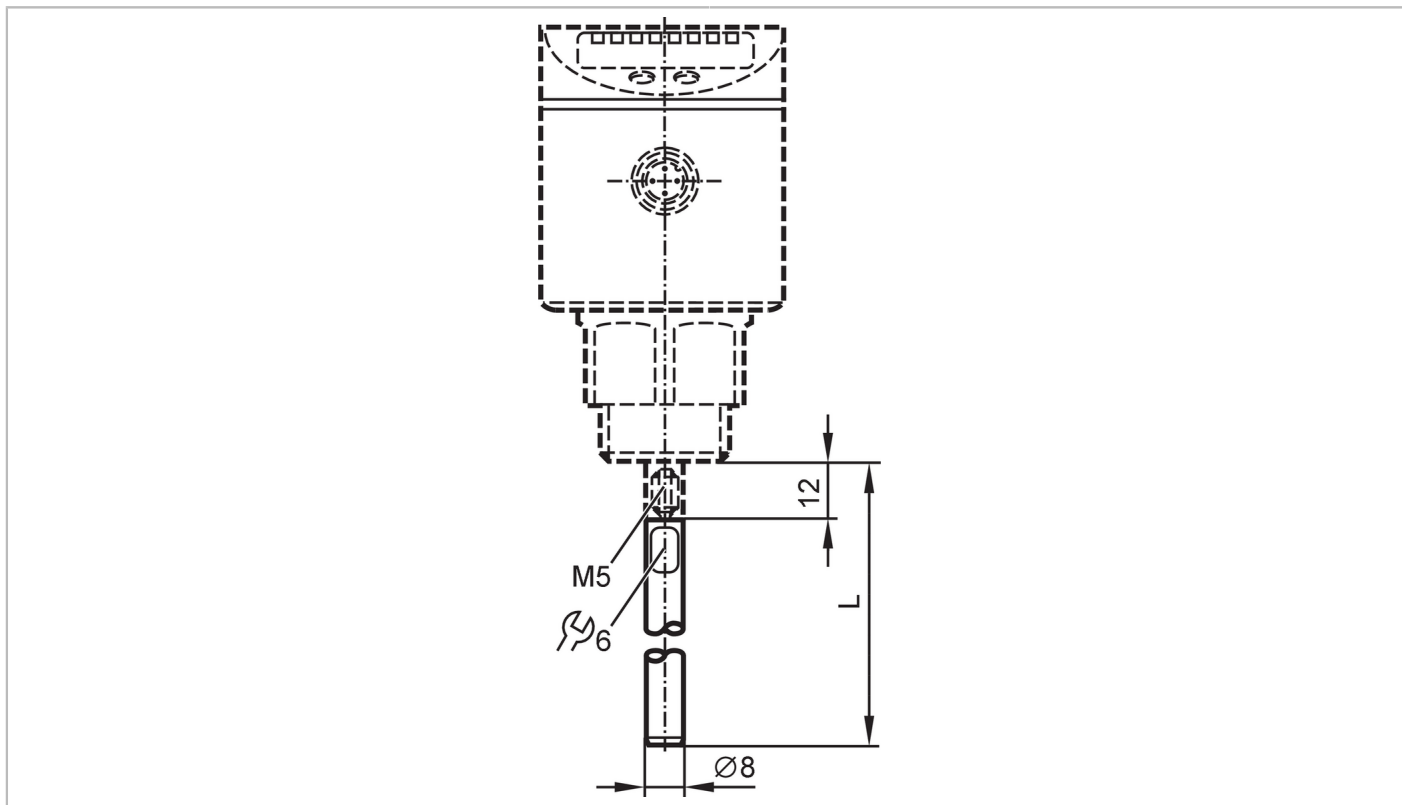


# E43210



## Probe for level sensors

LR PROBE L1600



Application	
Design	for level sensors LR
Measuring/setting range	
Probe length L [mm]	1600
Mechanical data	
Weight [g]	695
Materials	stainless steel (316L/1.4404)
Tightening torque [Nm]	4
Remarks	
Pack quantity	1 pcs.