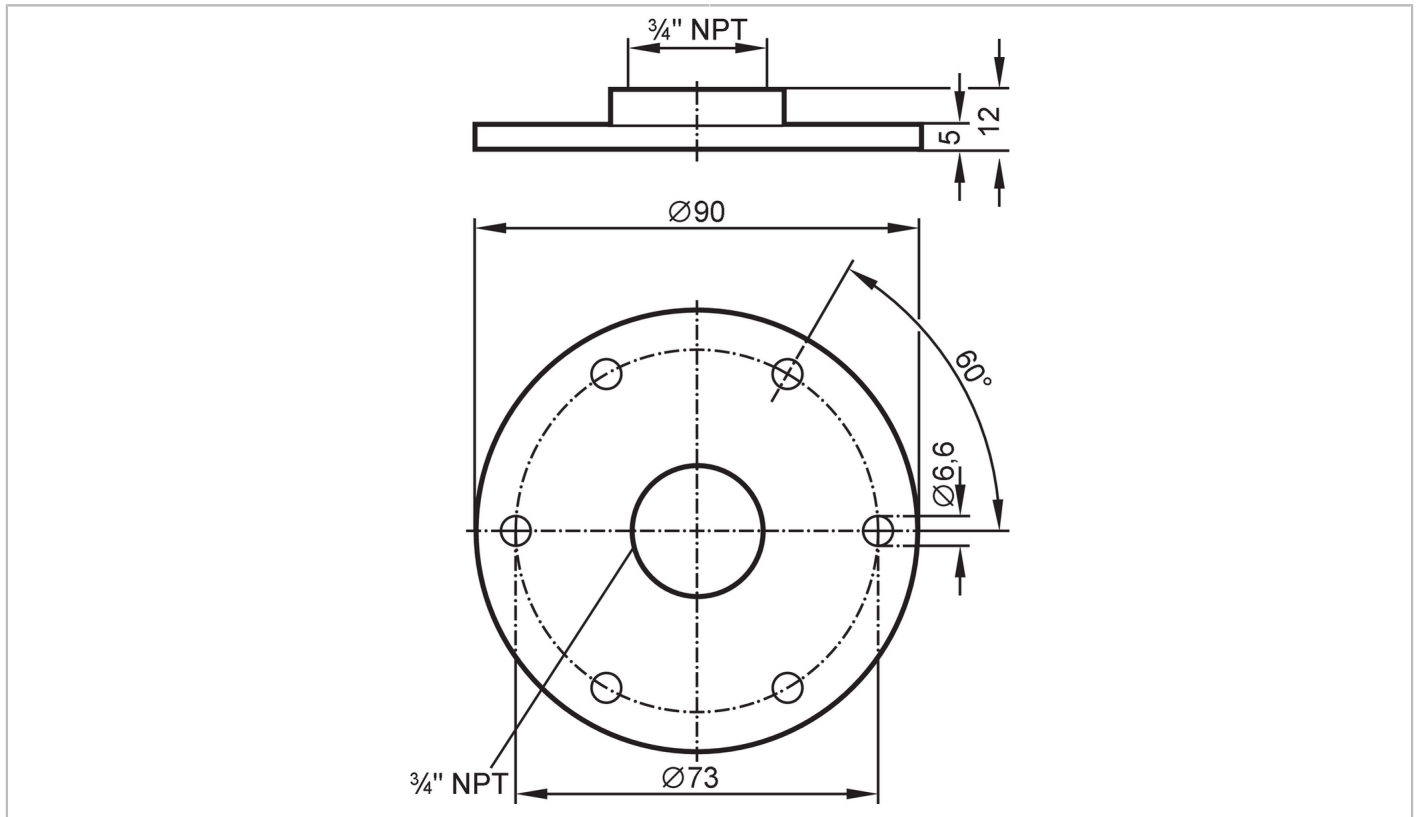


E43206



Flange plate for level sensors

FLANGE PLATE 73-90/NPT3/4



Application	
Design	for level sensors LR
Installation	according to DIN 24557
Tank pressure	-1...16 bar -0.1...1.6 MPa
Operating conditions	
Ambient temperature [°C]	0...80
Mechanical data	
Weight [g]	266.8
Type of mounting	according to DIN 24557
Materials	flange: stainless steel (303/1.4305); Sealing: NBR
Tightening torque [Nm]	< 40
Sensor connection	threaded connection 3/4" NPT internal thread
Process connection	flange Ø 90 mm
Remarks	
Pack quantity	1 pcs.