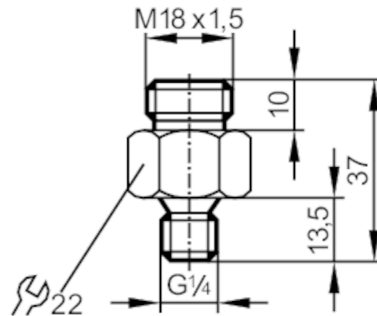


# E40176



## Mounting adapter for process sensors

ADAPT /SI/9/IG1/4 /



Application	
Application	for industrial applications
Media	liquids and gases
Pressure rating [bar]	30
Tests / approvals	
Pressure Equipment Directive	Sound Engineering Practice; can be used for group 2 fluids; group 1 fluids on request
Mechanical data	
Weight [g]	62.8
Dimensions [mm]	M18 x 1.5
Thread designation	M18 x 1.5
Materials	Hastelloy C-4 (2.4610)
Sensor connection	M18 x 1,5
Process connection	G 1/4
Insertion depth [mm]	13.5; (measuring probe SID, SFD, TN)
Accessories	
Accessories (supplied)	sealings: 1, AFM
Remarks	
Pack quantity	1 pcs.