

# E40093

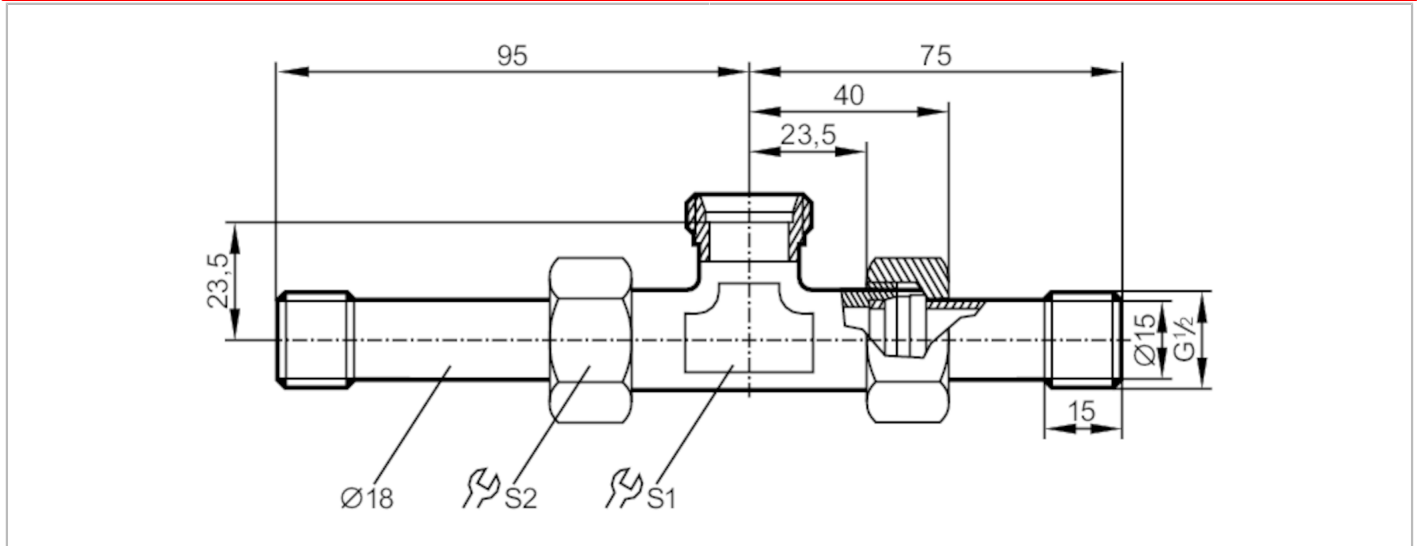


## T-piece with progressive ring fitting

T-PIECE G1/2-18-G1/2

Article no longer available - archive entry

Discontinuation date: 31.03.2017



Application	
Design	for sensors and adapters with process connection M26x1,5
Application	for industrial applications
Media	liquids and gases
Pressure rating [bar]	30
Tests / approvals	
Pressure Equipment Directive	Sound Engineering Practice; can be used for group 2 fluids; group 1 fluids on request
Mechanical data	
Weight [g]	404.2
Materials	brass (2.0401)
Accessories	
Accessories (optional)	Adapter: 1 x M18 x 1,5, for direct connection of flow sensors, E40104
Remarks	
Notes	discontinued article
Pack quantity	1 pcs.

Article no longer available - archive entry

Discontinuation date: 31.03.2017