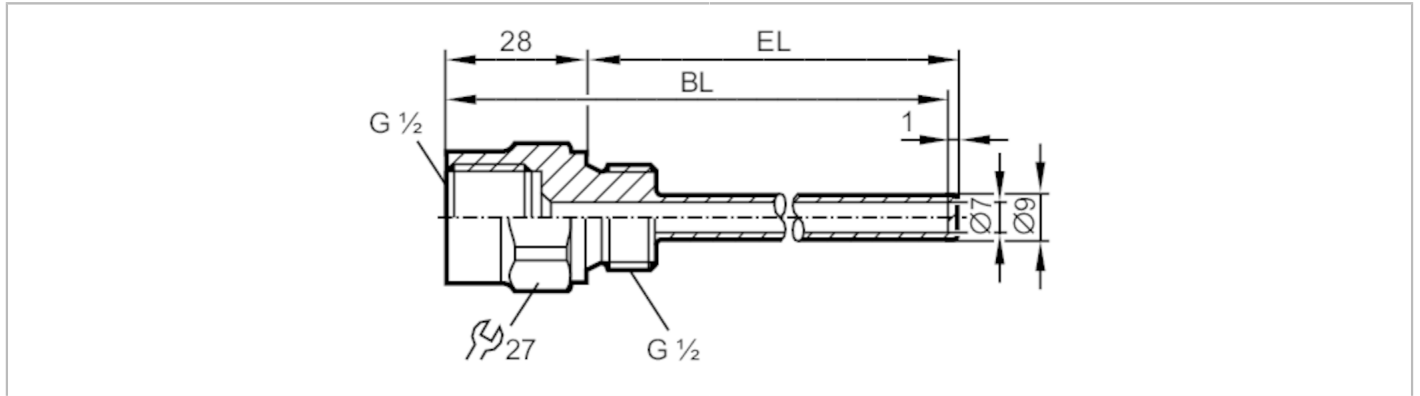


E37610



Thermowell for temperature sensors

THERMOWELL, D6/ G1/2 /L=100



Application

| | |
|-------------------------|-------------------------------------|
| Design | for temperature sensors EL = 100 mm |
| Pressure rating [bar] | 100 |
| Note on pressure rating | < 250 °C |

Mechanical data

| | |
|-----------------------------|--------------------------------|
| Weight [g] | 130.7 |
| Materials | stainless steel (1.4571/316Ti) |
| Sensor connection | G 1/2 Ø 6 mm |
| Process connection | G 1/2 |
| Installation length EL [mm] | 74 |
| Bore length BL [mm] | 100 |

Remarks

| | |
|---------------|--------|
| Pack quantity | 1 pcs. |
|---------------|--------|