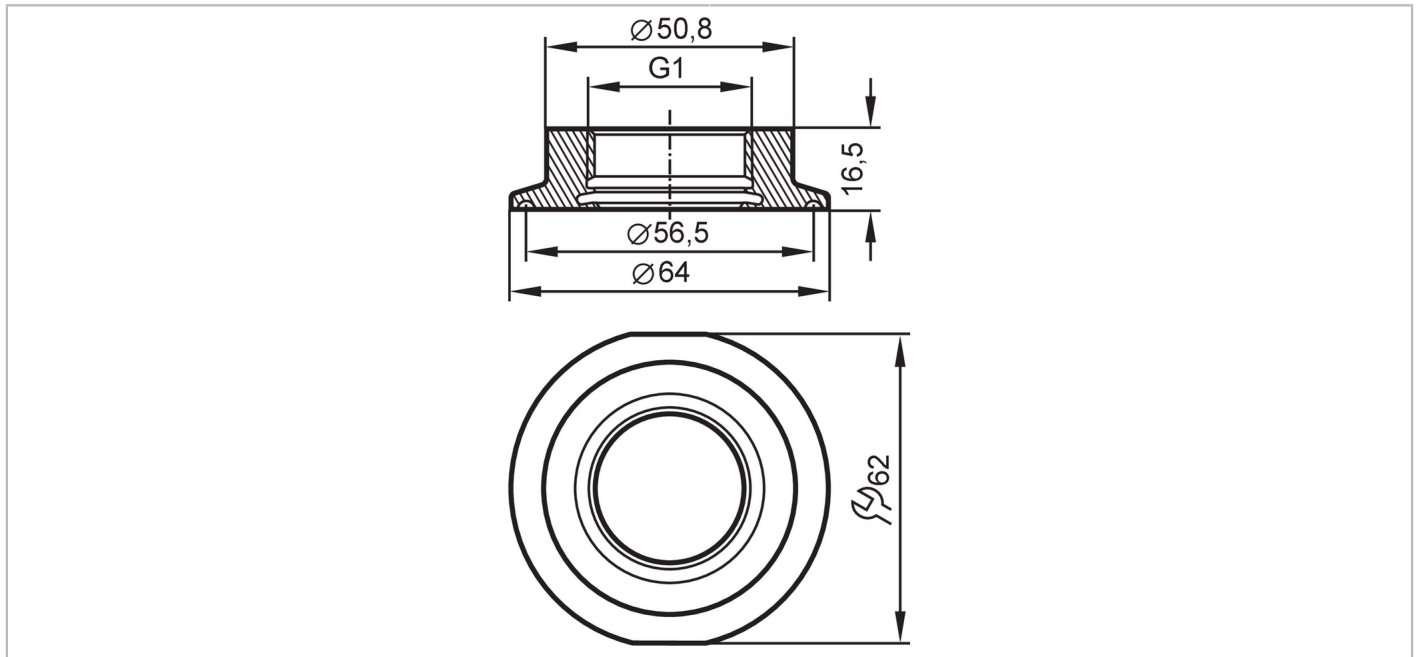


# E33202



## Process adapter Tri-Clamp

ADAPT IFM-CLAMP ISO2852 2"



CRN EC 1935/2004 FCM FDA Hygienic Cleanable

Application	
Pressure rating	16 bar 1.6 MPa
Tests / approvals	
Pressure Equipment Directive	A possible classification to PED depends on the application and has to be carried out by the user / operator.
Safety instructions	The compatibility between medium and product material has to be checked in all applications.
Mechanical data	
Weight [g]	227.5
Materials (wetted parts)	stainless steel (316L/1.4435) surface characteristics: Ra < 0,4 µm / Rz = 4 µm
Sensor connection	G 1 internal thread Aseptoflex Vario
Process connection	Clamp DN50 (2") Ø 64 mm DIN 32676 (ISO 2852)
Sealing	Gasket
Hygienic equipment class to DIN 11866	H4
Accessories	
Items supplied	O-ring: 1 x (24 x 2 mm), EPDM, FDA compliant, E30054
Accessories (optional)	O-ring: 1 x 24 x 2, FKM, FDA compliant, E30123 sealing ring: 1, PEEK, FDA compliant, E30124
Remarks	
Pack quantity	1 pcs.