

# E33001



## Process adapter Tri-Clamp

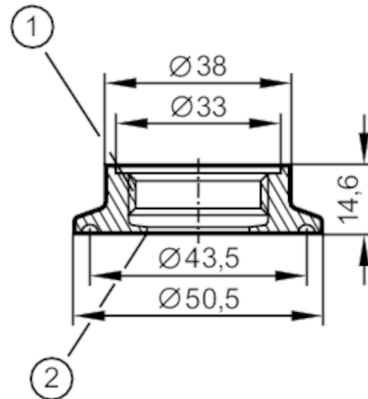
ADA IFM-CLAMP ISO2852/1-1.5

Article no longer available - archive entry

Alternative articles: E33701

When selecting an alternative article and accessories please note that technical data may differ!

The alternative article requires the use of a new sensor with Aseptoflex Vario external thread



- 1 Aseptoflex thread
- 2 Aseptoflex sealing edge

EC 1935/2004 FCM FDA

Application	
Pressure rating	[bar] 16
Tests / approvals	
Pressure Equipment Directive	A possible classification to PED depends on the application and has to be carried out by the user / operator.
Safety instructions	The compatibility between medium and product material has to be checked in all applications.
Mechanical data	
Weight	[g] 127
Materials	stainless steel (1.4404 / 316L)
Sensor connection	Aseptoflex
Process connection	Clamp DN25...DN40 (1...1,5") DIN 32676 (ISO 2852)
Surface characteristics Ra/Rz of the wetted parts	0.4 / 4
Remarks	
Pack quantity	1 pcs.